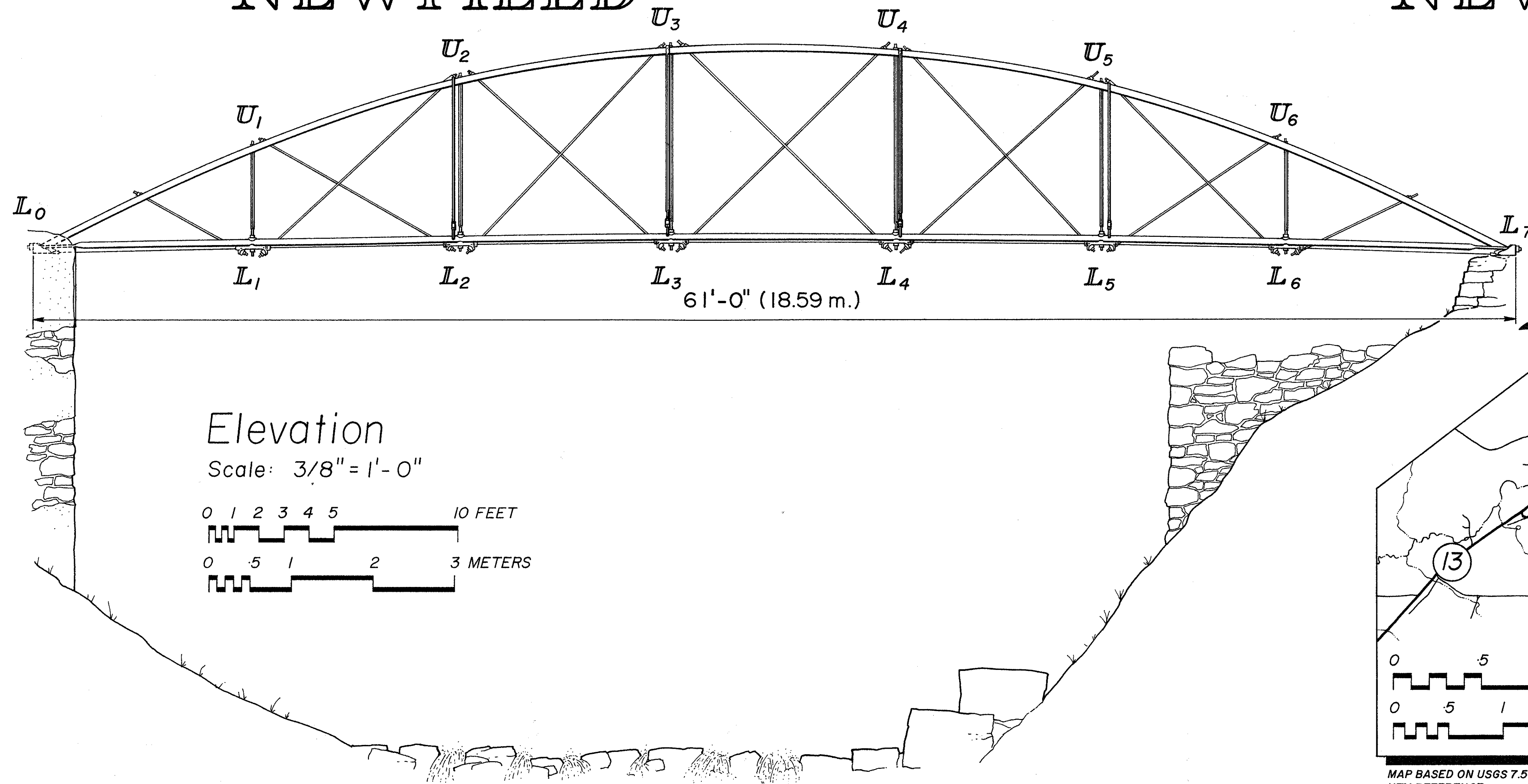
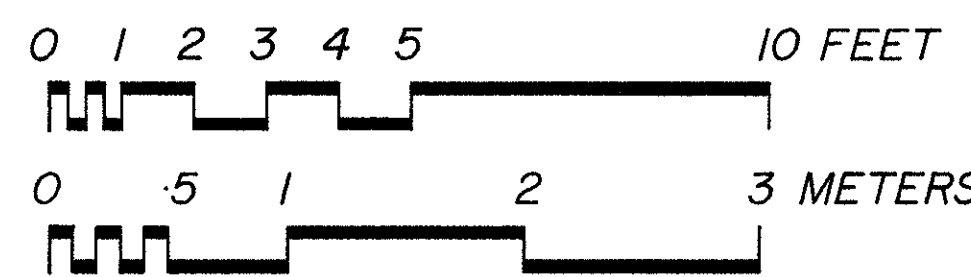


BEECH ROAD BRIDGE

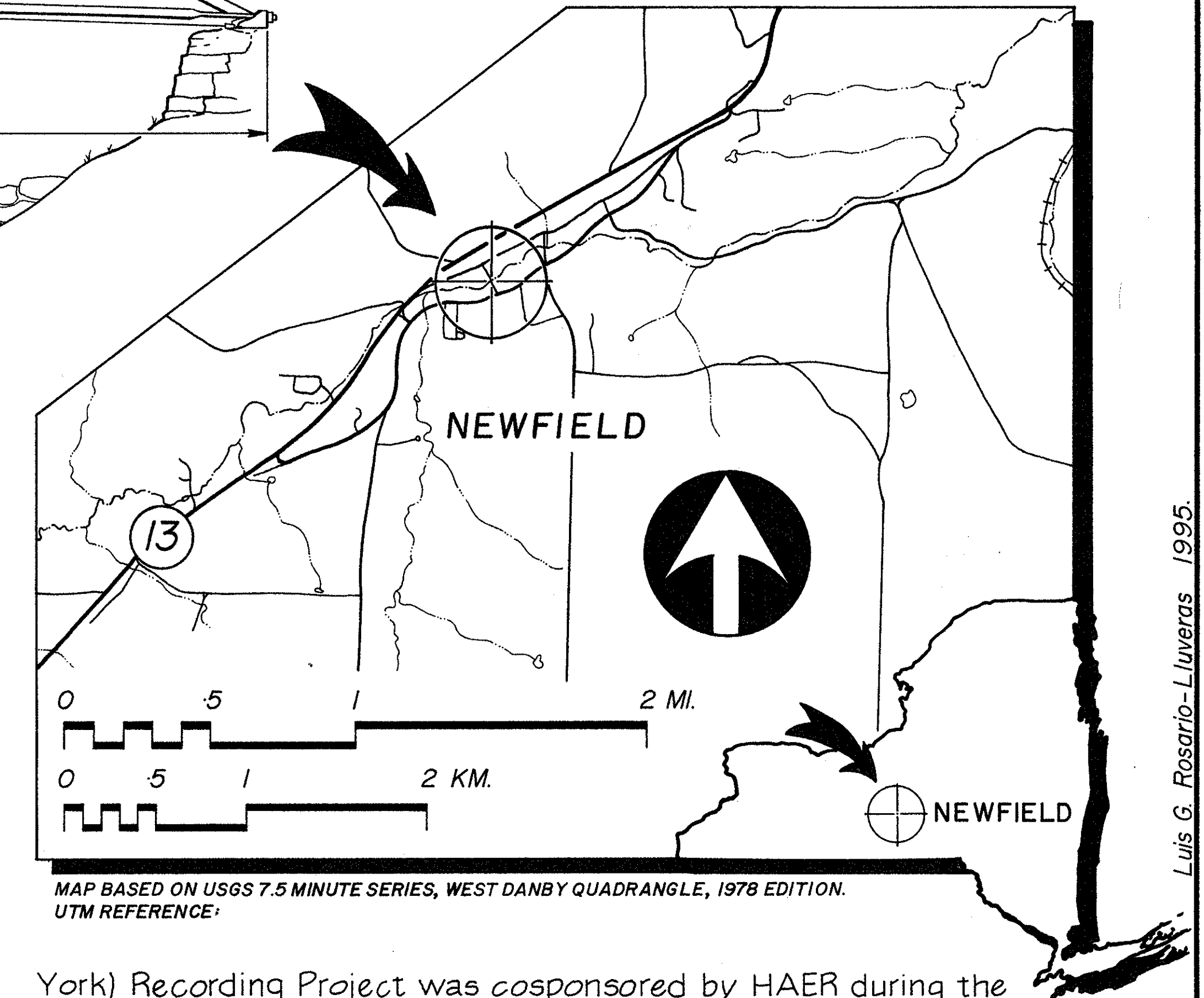
NEWFIELD NEW YORK



Elevation
Scale: 3/8" = 1'-0"



Location Map



MAP BASED ON USGS 7.5 MINUTE SERIES, WEST DANBY QUADRANGLE, 1978 EDITION.
UTM REFERENCE:

This recording project is part of the Historic American Engineering Record (HAER), a long-range program to document historically significant engineering, industrial, and maritime sites in the United States. HAER is administered by the National Park Service, U.S. Department of the Interior. The Cast & Wrought-Iron Bridges (New

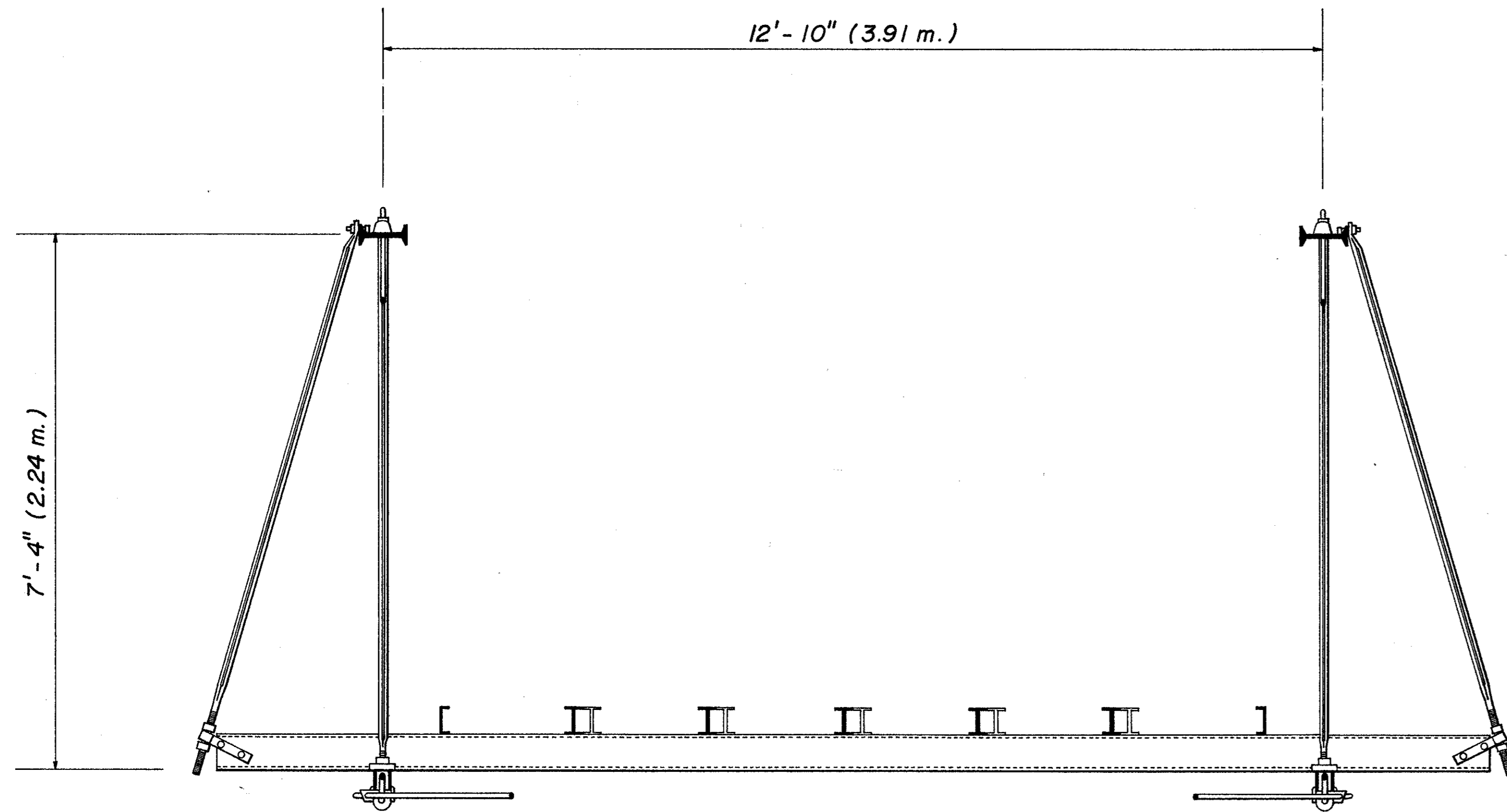
York) Recording Project was cosponsored by HAER during the summer of 1994 under the general direction of Dr. Robert J. Kapsch, Chief, HASB/HAER, the New York State Department of Transportation, Michael J. Cuddy, Assistant Commissioner & Chief Engineer, with the assistance of Mary Ivey, Environmental Section, NY DOT; the Office of New York State Parks, Recreation & Historic Preservation, J. Winthrop Aldrich, Deputy Commissioner; and the School of Architecture, Rensselaer Polytechnic Institute, Donald Watson, Dean.

The field work, measured drawings, historical reports, and photographs were prepared under the direction of Eric DeLony, HAER Chief and Project Leader; Karl Bodensiek, field supervisor; Caroline Schwyer, (ICOMOS-France), architect; Wang Bing (ICOMOS-Japan), architect; and William Chamberlin, PE, historian consultant. Large-format photography was done by Jet Lowe, HAER photographer. The project was edited in the Washington Office by Luis Rosario under the direction of Craig Strong HAER Sr. Architect.

DELINEATED BY: Karl N. Bodensiek 1994
CAST & WROUGHT IRON BRIDGES
RECORDING PROJECT-NEW YORK
UNITED STATES DEPARTMENT OF THE INTERIOR

Luis G. Rosario-Liaveras 1995.
BEECH ROAD BRIDGE - c. 1920
BEECH ROAD, SPANNING THE WEST BRANCH INLET
TOMPKINS COUNTY
NEW YORK

HISTORIC AMERICAN
ENGINEERING RECORD
NY -274
SHEET
1 OF 3



Section

Scale: 3/4" = 1'-0"

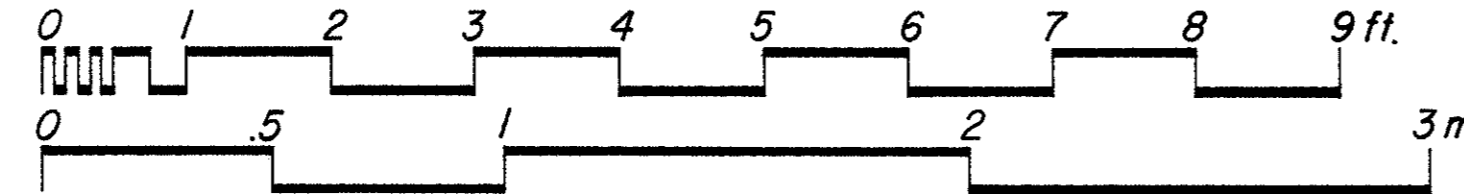
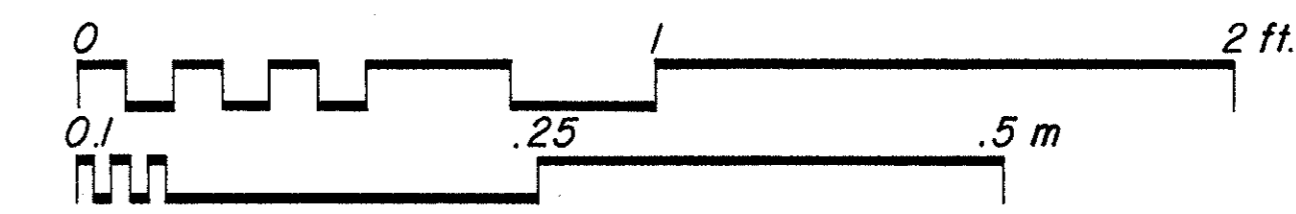
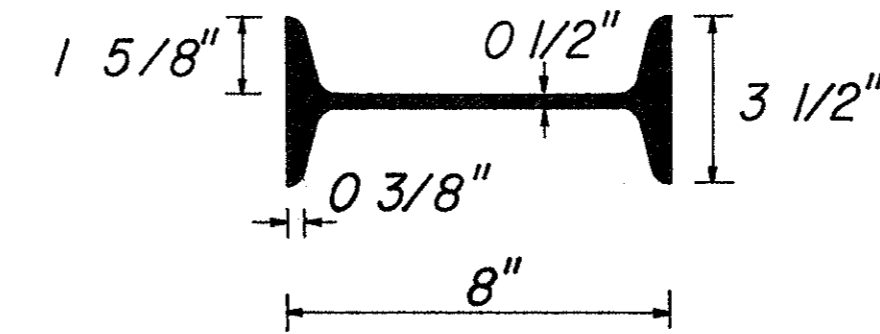


Table of Member Section

Scale: 3" = 1'-0"



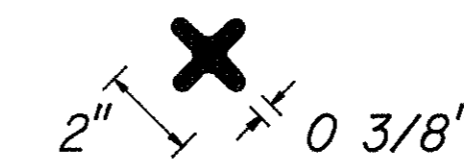
Upper Chord



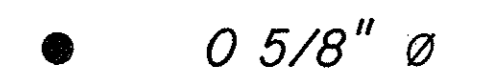
Sway Bracing



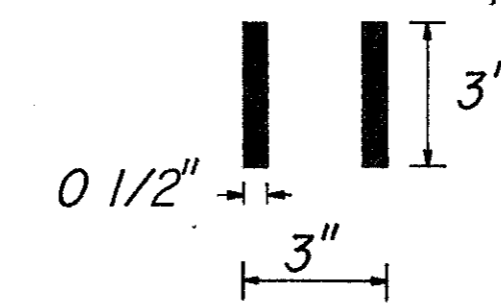
Post



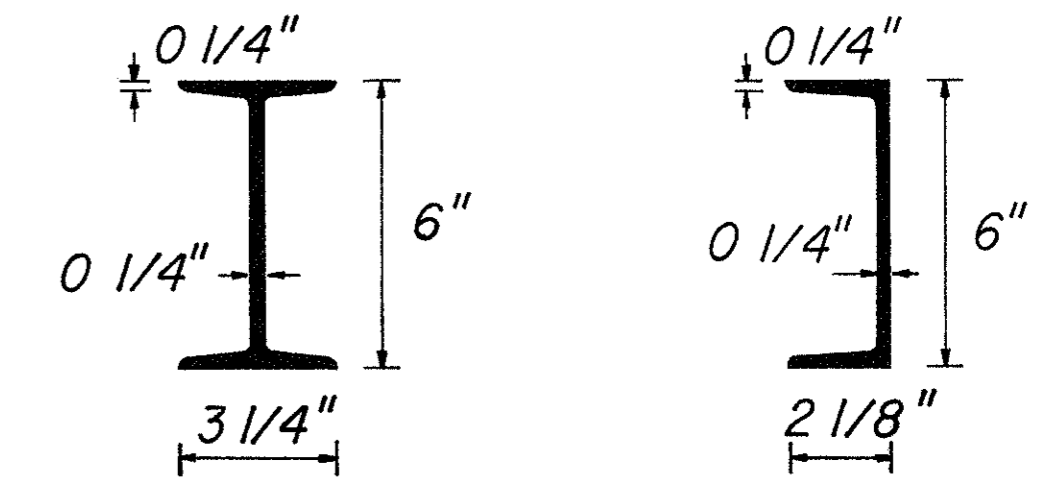
Lower Lateral Rods



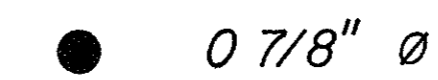
Lower Chord



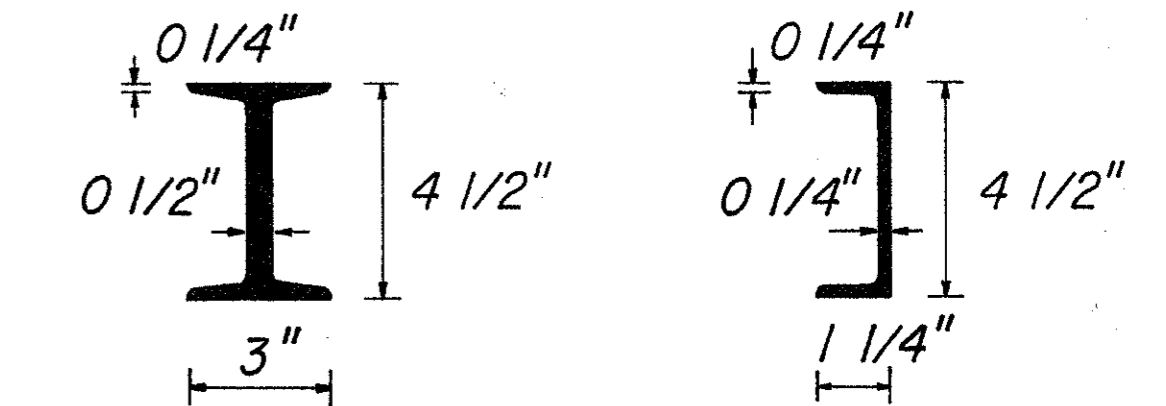
Transverse Beams



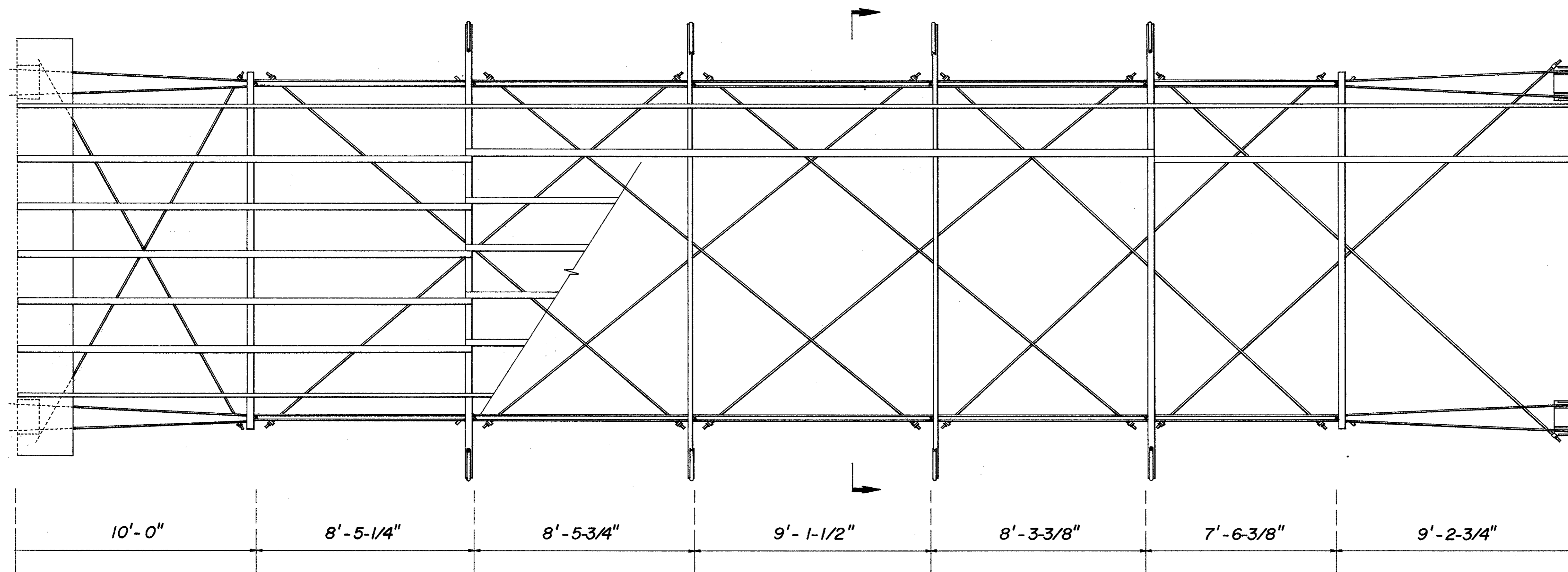
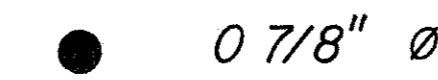
Diagonals



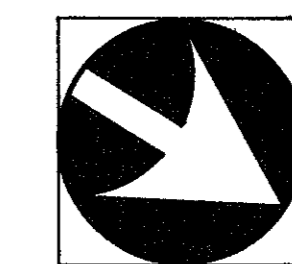
Stringers



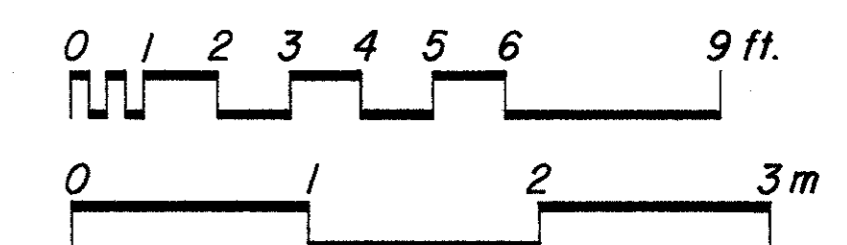
Counters



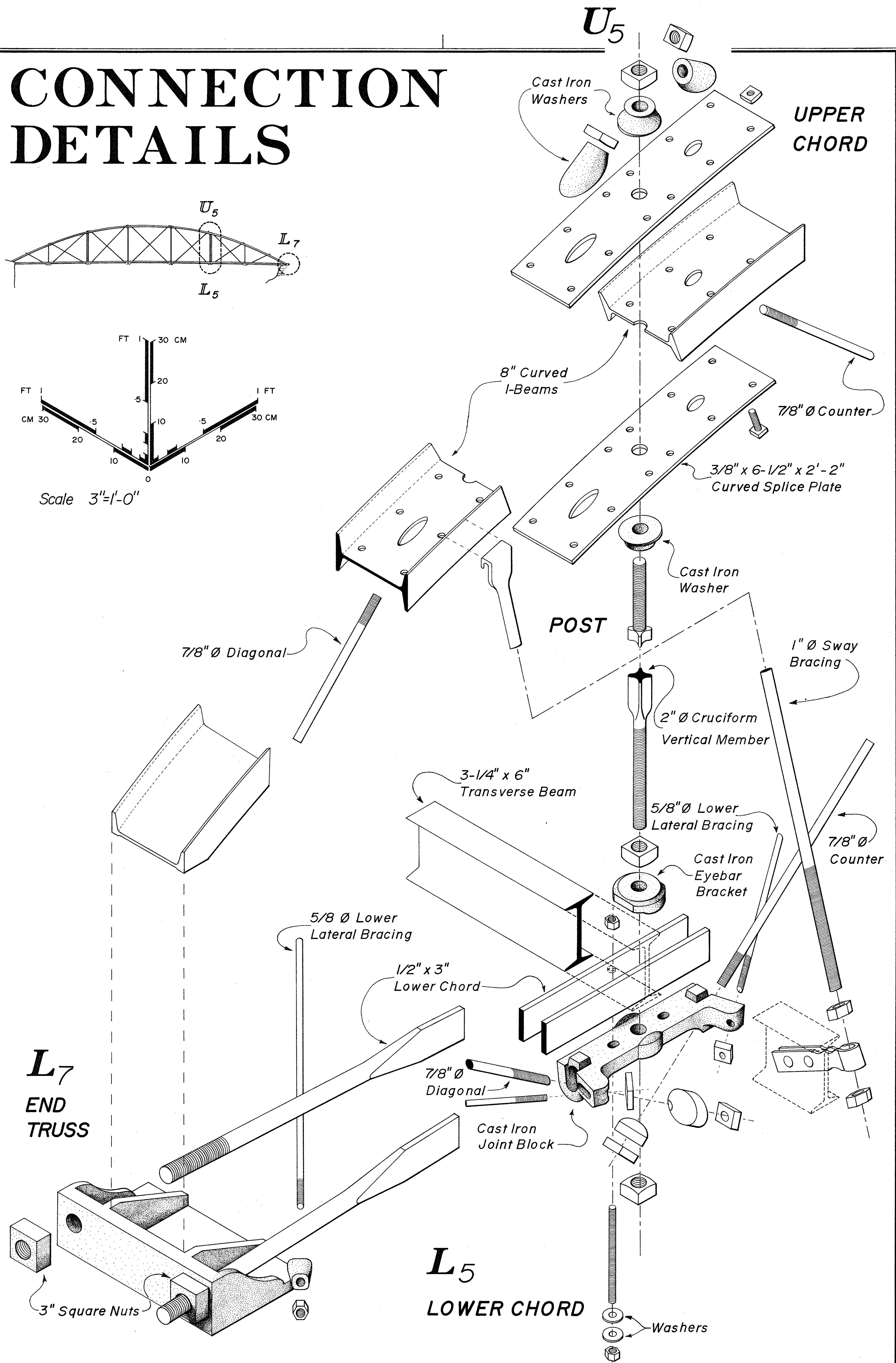
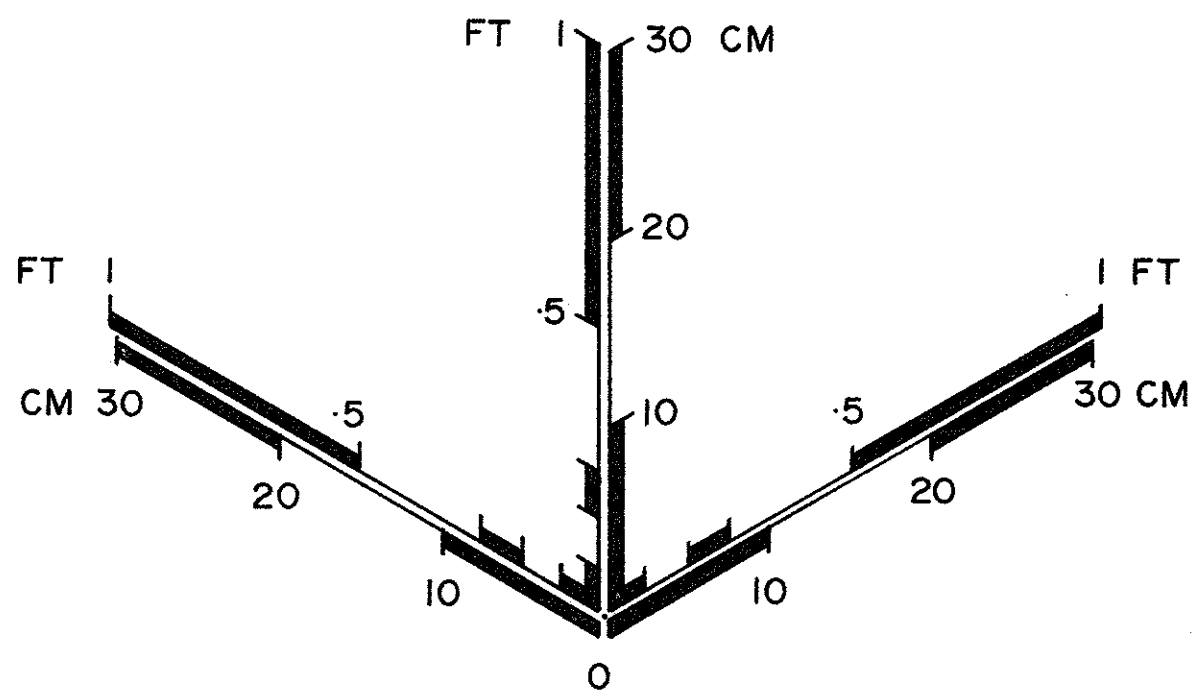
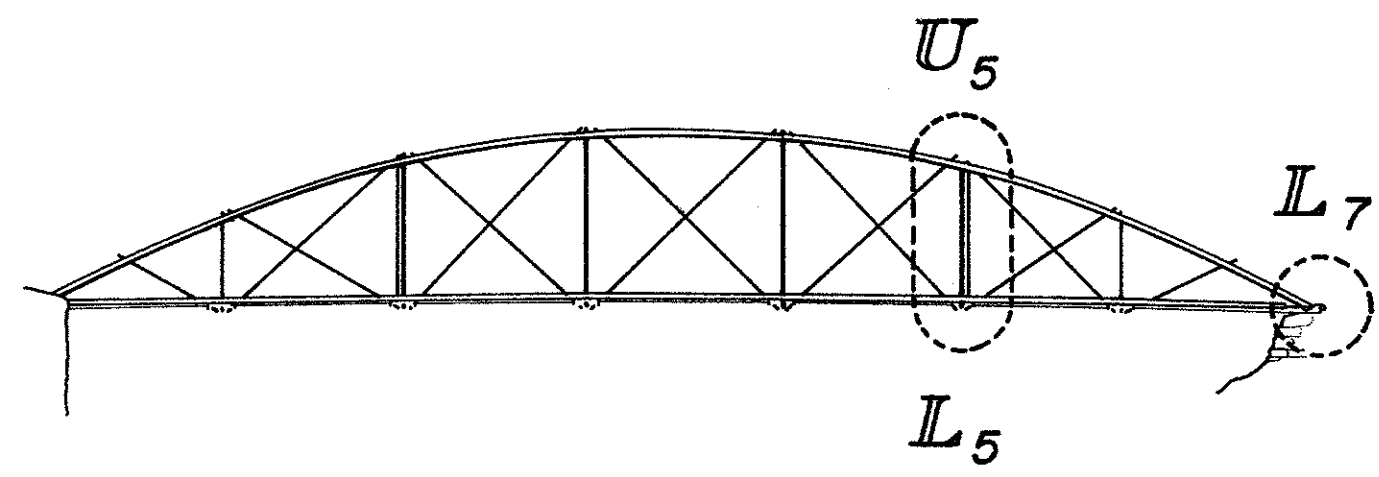
Plan



Scale: 3/8" = 1'-0"



CONNECTION DETAILS



DELINEATED BY: CAROLINE SCHWEYER 1994. / LUIS G. ROSARIO-LLUVERAS 1995.

CAST & WROUGHT IRON BRIDGES
RECORDING PROJECT-NEW YORK
NATIONAL PARK SERVICE
UNITED STATES DEPARTMENT OF THE INTERIOR

NEWFIELD

BEECH ROAD BRIDGE - c. 1920
BEECH ROAD, SPANNING THE WEST BRANCH INLET
TOMPKINS COUNTY

NEW YORK

SHEET
3 of 3

HISTORIC AMERICAN
ENGINEERING RECORD
NY-274