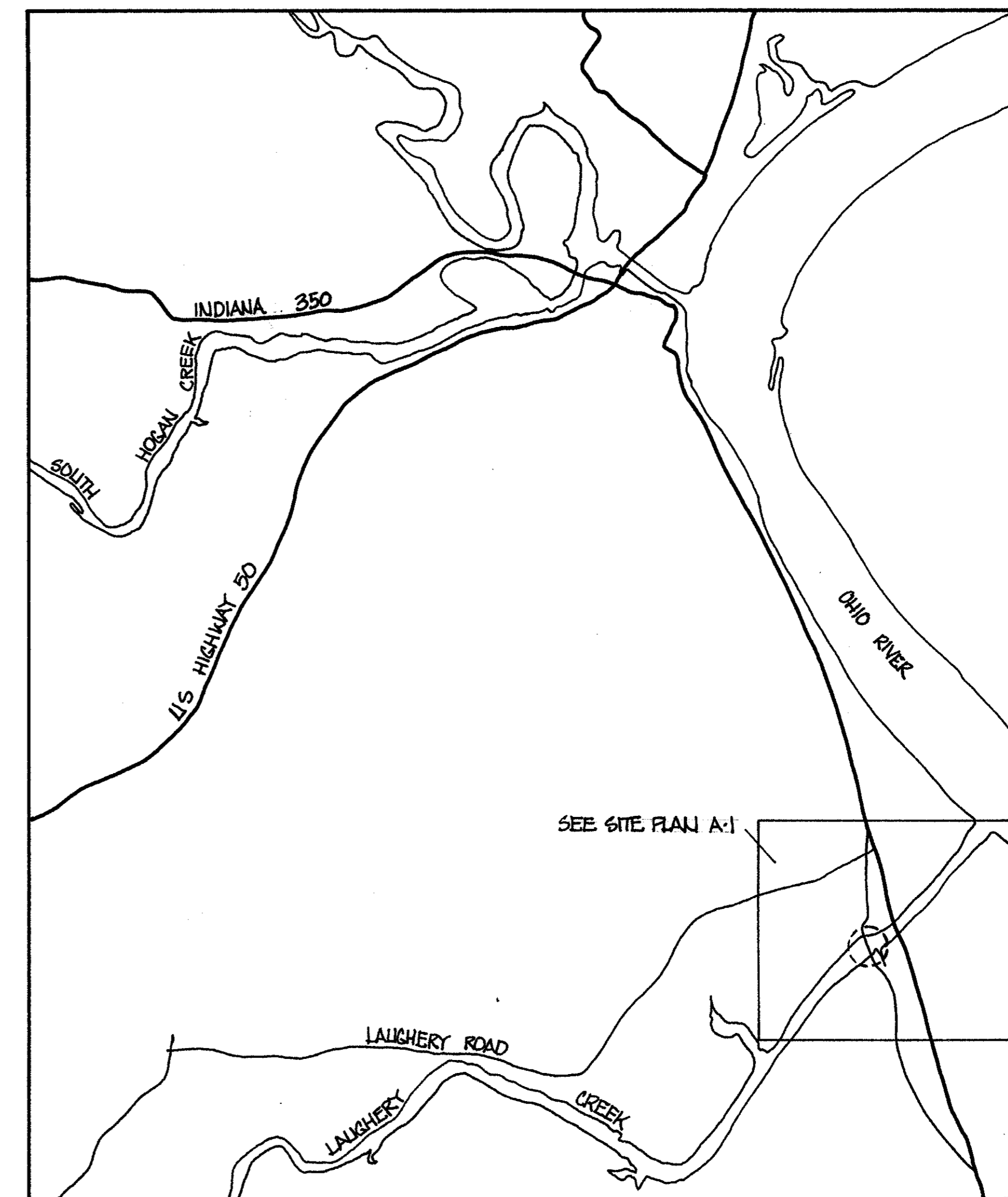


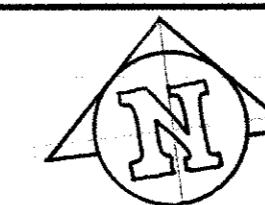
# LAUGHERY CREEK BRIDGE



**A SITE PLAN**  
SCALE: 1" = 400'



**B SITE LOCATION**  
SCALE: 1" = 24000'



THE LAUGHERY CREEK BRIDGE WAS CONSTRUCTED OVER LAUGHERY CREEK CONNECTING RISING SUN, THE SEAT OF OHIO COUNTY, TO THE THEN PROSPEROUS TOWN OF AURORA, INDIANA. IT IS LOCATED ON LAUGHERY CREEK, JUST WEST OF STATE ROUTE 56, ABOUT TWO MILES SOUTH OF AURORA. COUNTY ENGINEER HENRY FITCH WROTE THE SPECIFICATIONS FOR THE CONTRACTING OF THE PROPOSED BRIDGE, AND THE WROUGHT IRON BRIDGE COMPANY OF CANTON, OHIO WAS AWARDED THE CONTRACT. THE STRUCTURE, A TRIPLE-INTERSECTION TRUSS, WAS COMPLETED DECEMBER 10, 1878.

**C HISTORICAL NOTES**

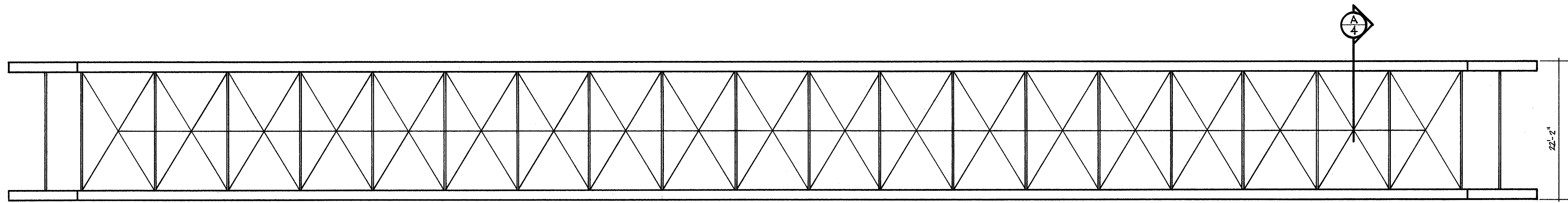
DUE TO INSUFFICIENT INFORMATION AT THE TIME OF EDITING, THE ORIGINAL DRAWING MAY NOT CONFORM TO HABS DOCUMENTATION STANDARDS.

DRAWN BY: M. TURNER  
 BALL STATE UNIVERSITY  
 COLLEGE OF ARCHITECTURE AND PLANNING  
 UNDER DIRECTION OF ARCHITECTURAL PRESERVATION  
 UNITED STATES DEPARTMENT OF THE INTERIOR

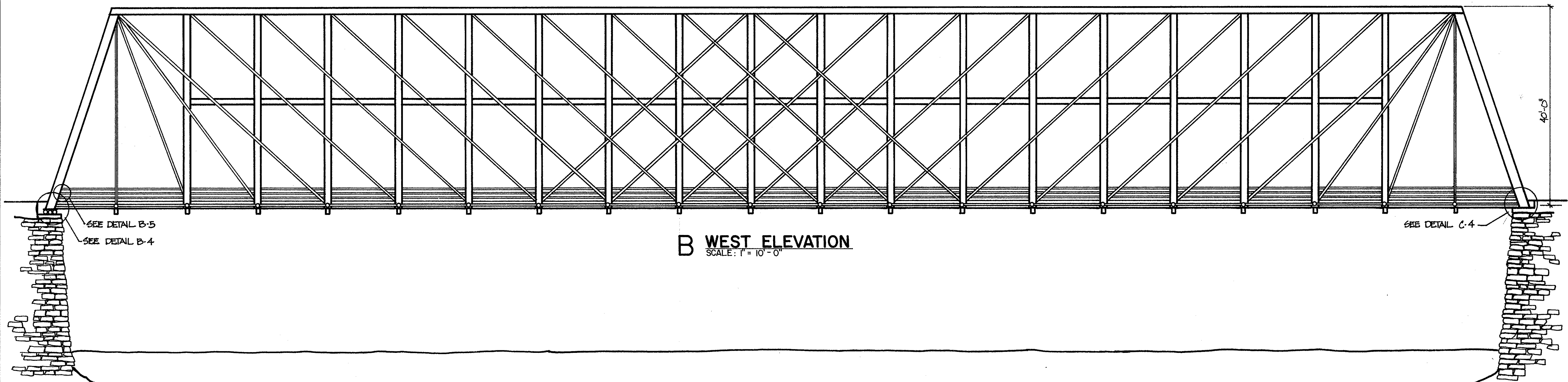
NAME AND LOCATION OF STRUCTURE  
**LAUGHERY BRIDGE**  
 OHIO COUNTY NEAR AURORA, INDIANA

SURVEY NO.  
**HAER**  
**/N-16**

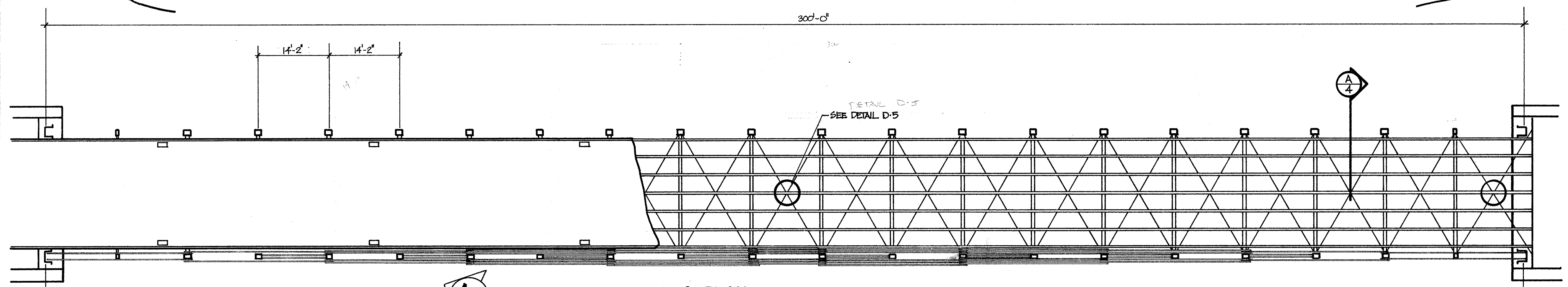
HISTORIC AMERICAN  
 ENGINEERING RECORD  
 SHEET 1 OF 6



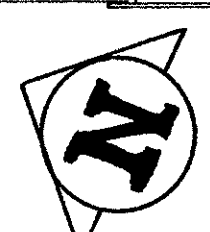
**C TOP VIEW**  
SCALE: 1" = 10'-0"



**B WEST ELEVATION**  
SCALE: 1" = 10'-0"



**A PLAN**  
SCALE: 1" = 10'-0"



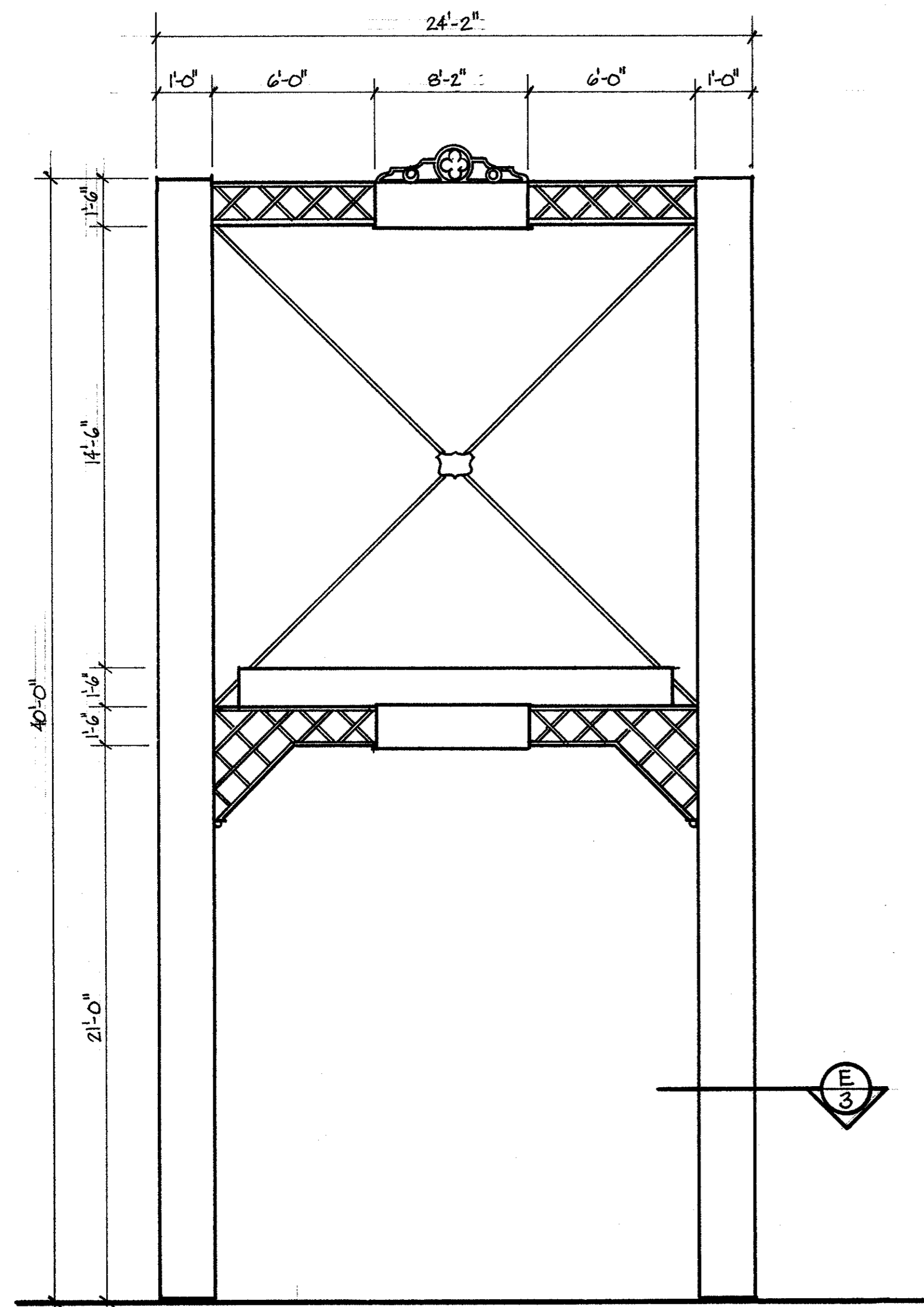
DUE TO INSUFFICIENT INFORMATION AT THE TIME OF EDITING, THIS MATERIAL MAY NOT CONFORM TO HABS OR HAER STANDARDS.

DRAWN BY: M. TURNER  
 STATE UNIVERSITY  
 COLLEGE OF ARCHITECTURE AND ENVIRONMENTAL PLANNING  
 UNDER THE SUPERVISION OF THE DIRECTOR OF THE HISTORIC ARCHIVES  
 UNDER THE SUPERVISION OF THE DIRECTOR OF THE HISTORIC ARCHIVES

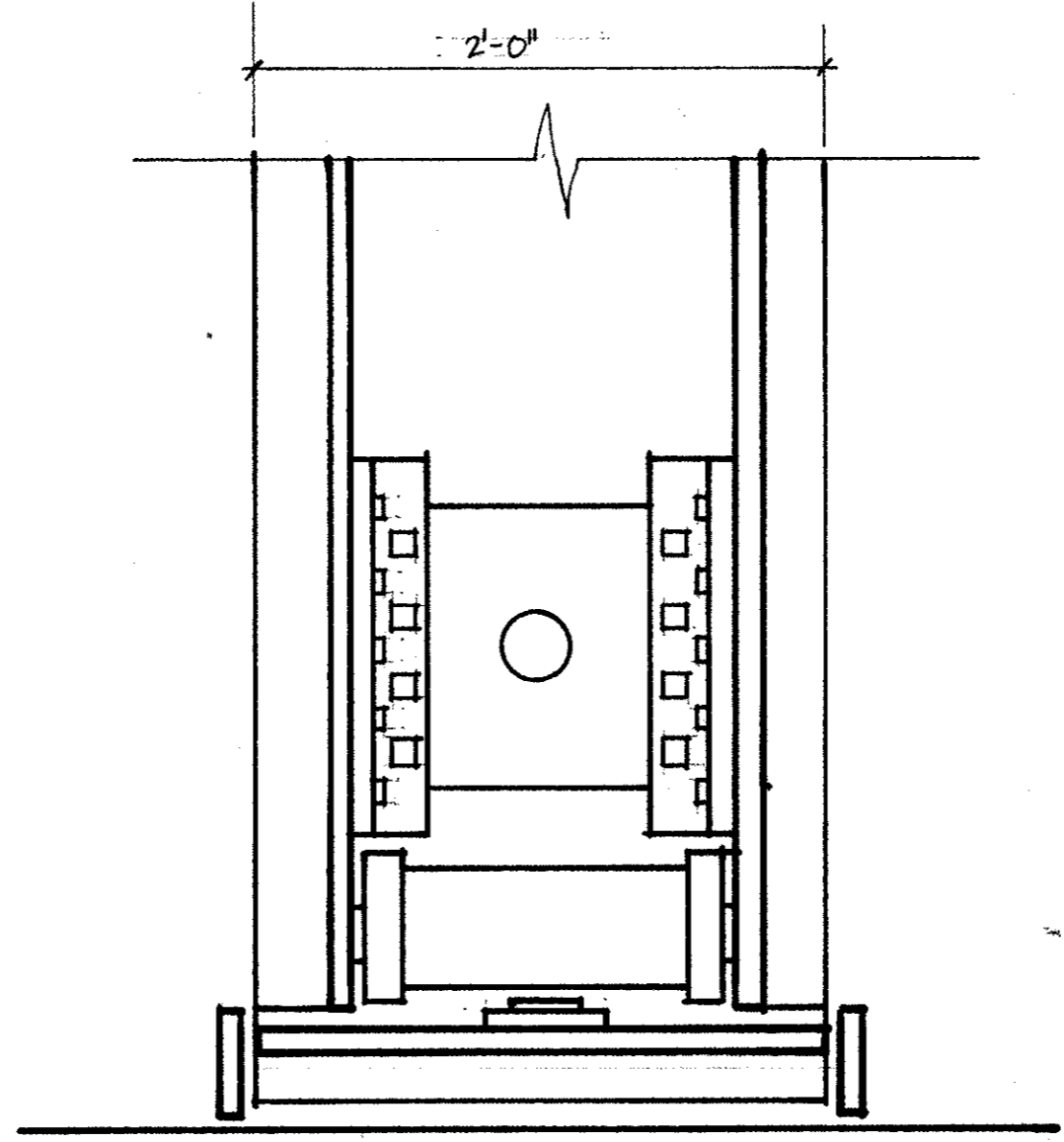
NAME AND LOCATION OF STRUCTURE  
**LAUGHERY BRIDGE**  
 OHIO COUNTY NEAR AURORA, INDIANA

SURVEY NO.  
**HAER**  
**IN-16**

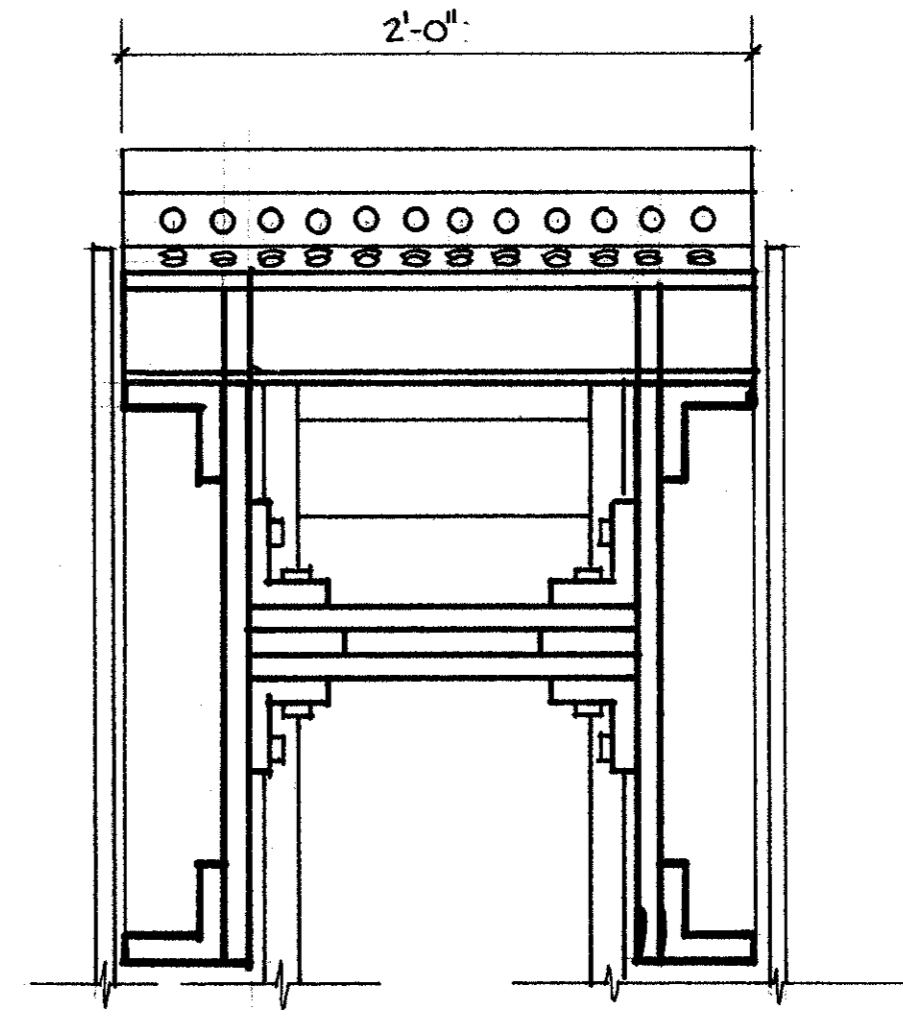
HISTORIC AMERICAN  
 ENGINEERING RECORD  
 SHEET 2 OF 6



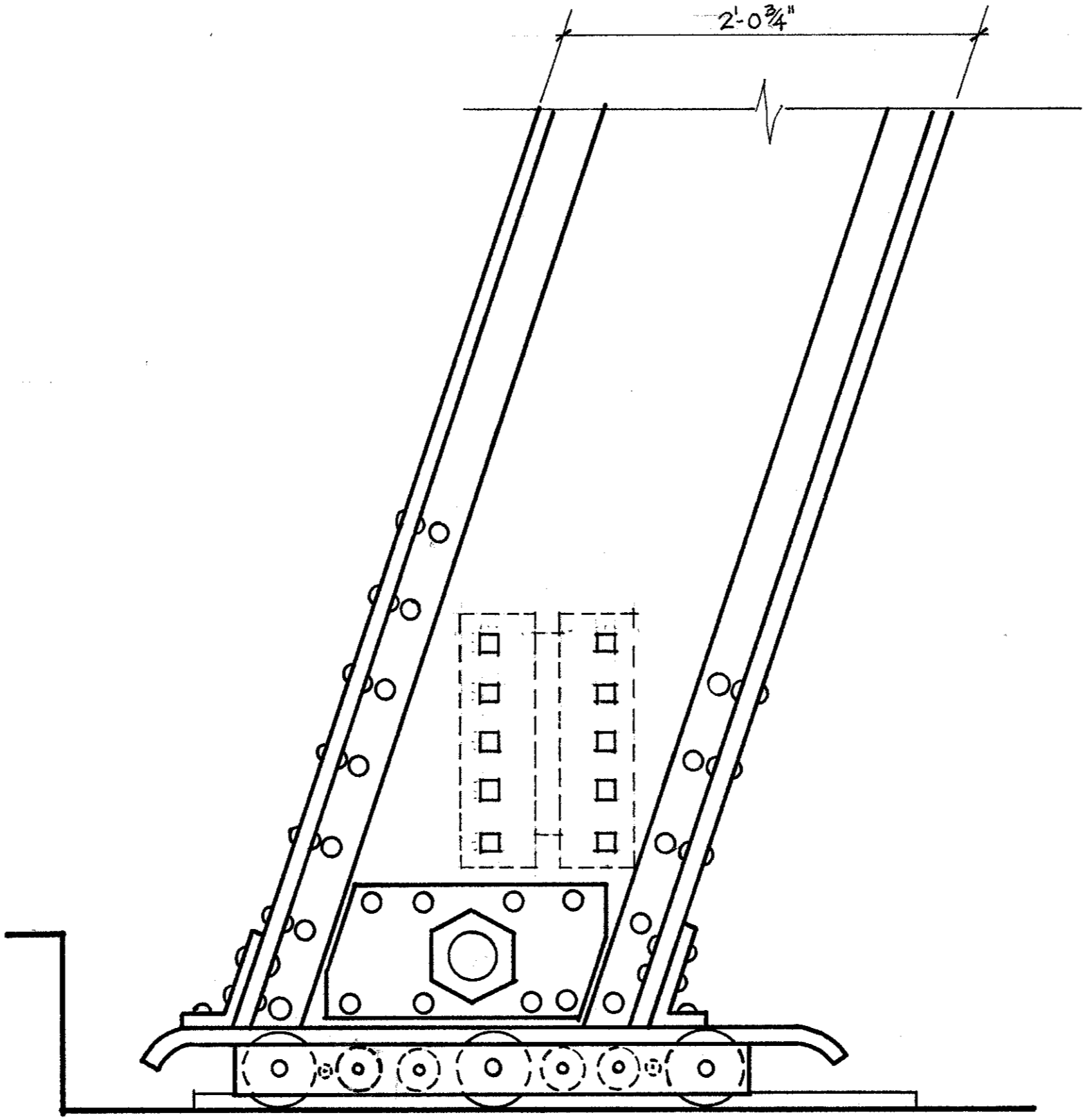
**A NORTH ELEVATION**  
SCALE: 1-1/2" = 1'-0"



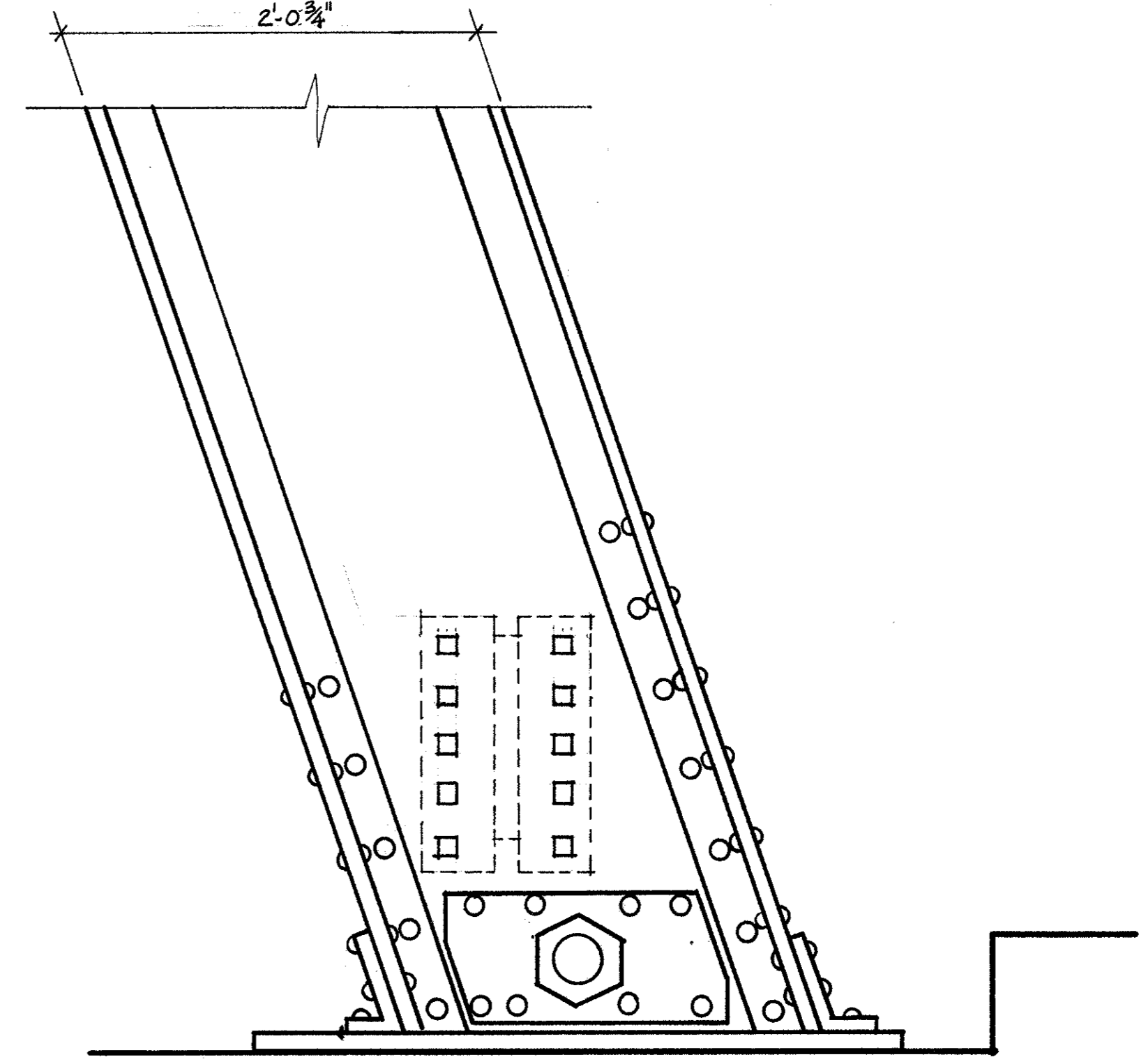
**D ROLLER CONNECTION ELEVATION**  
SCALE: 1-1/2" = 1'-0"



**E COLUMN SECTION**  
SCALE: 1-1/2" = 1'-0"



**B ROLLER CONNECTION ELEVATION**  
SCALE: 1-1/2" = 1'-0"



**C FIXED CONNECTION ELEVATION**  
SCALE: 1-1/2" = 1'-0"

DUE TO INSUFFICIENT INFORMATION AT THE TIME OF EDITING, THIS MATERIAL MAY NOT CONFORM TO HANS OR HAGER STANDARDS.

DRAWN BY: J. BYERS  
 BALL STATE UNIVERSITY PLANNING  
 COLLEGE OF ARCHITECTURE AND ENVIRONMENTAL DESIGN  
 OFFICE OF ARCHITECTURE AND ENVIRONMENTAL DESIGN  
 UNDER DIRECTION OF THE NATIONAL ARCHITECTURAL ARCHIVE  
 UNITED STATES DEPARTMENT OF THE INTERIOR

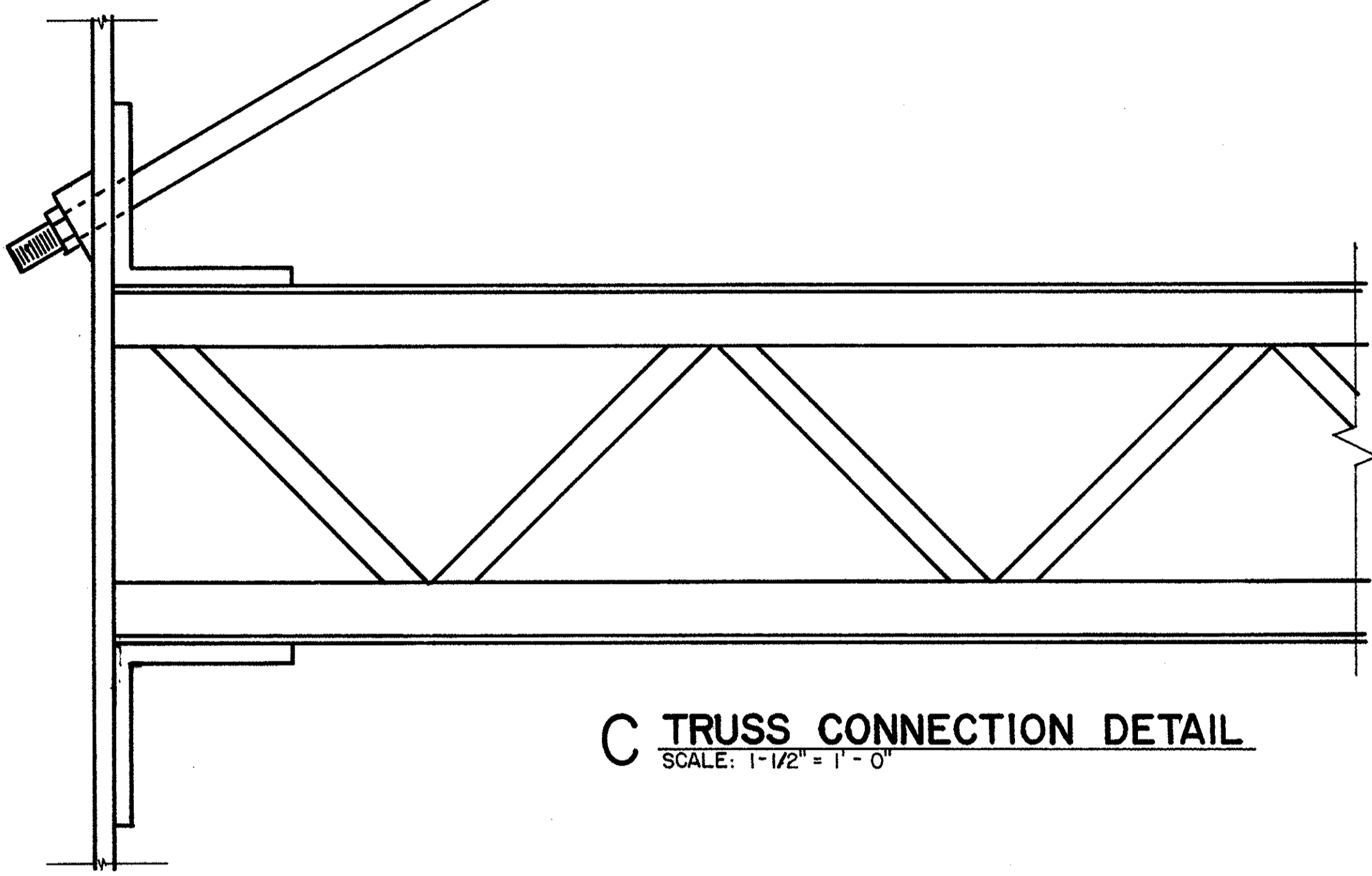
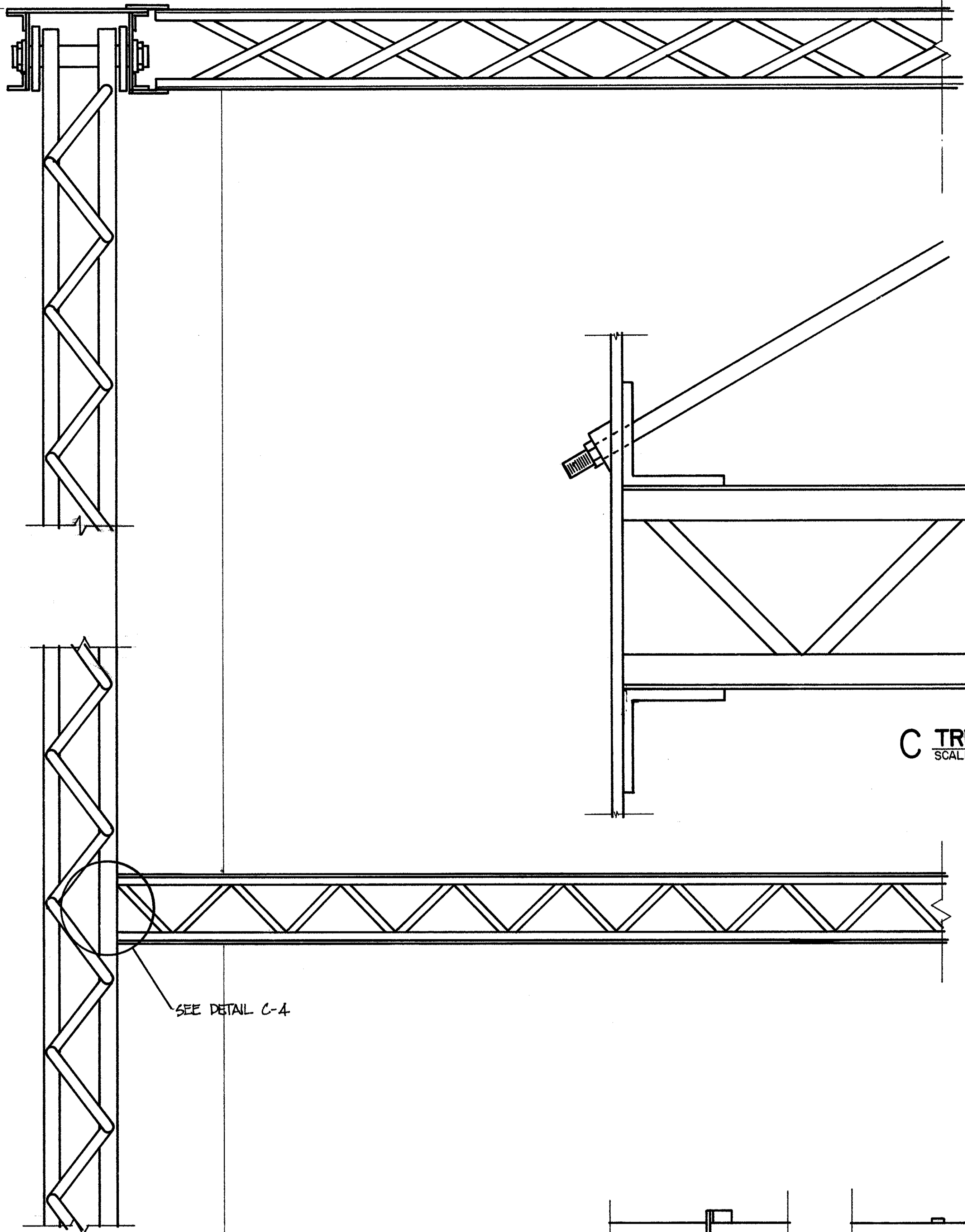
NAME AND LOCATION OF STRUCTURE  
**LAUGHERY BRIDGE**  
 OHIO COUNTY NEAR AURORA, INDIANA

SURVEY NO.  
**HAER**  
**/N-16**

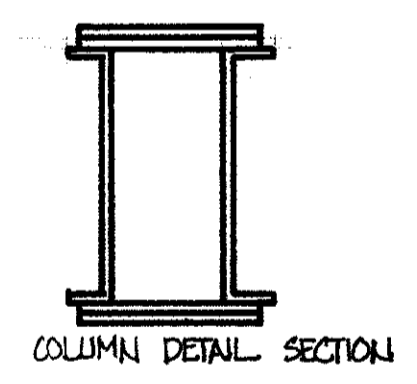
HISTORIC AMERICAN  
 ENGINEERING RECORD  
 SHEET 3 OF 6



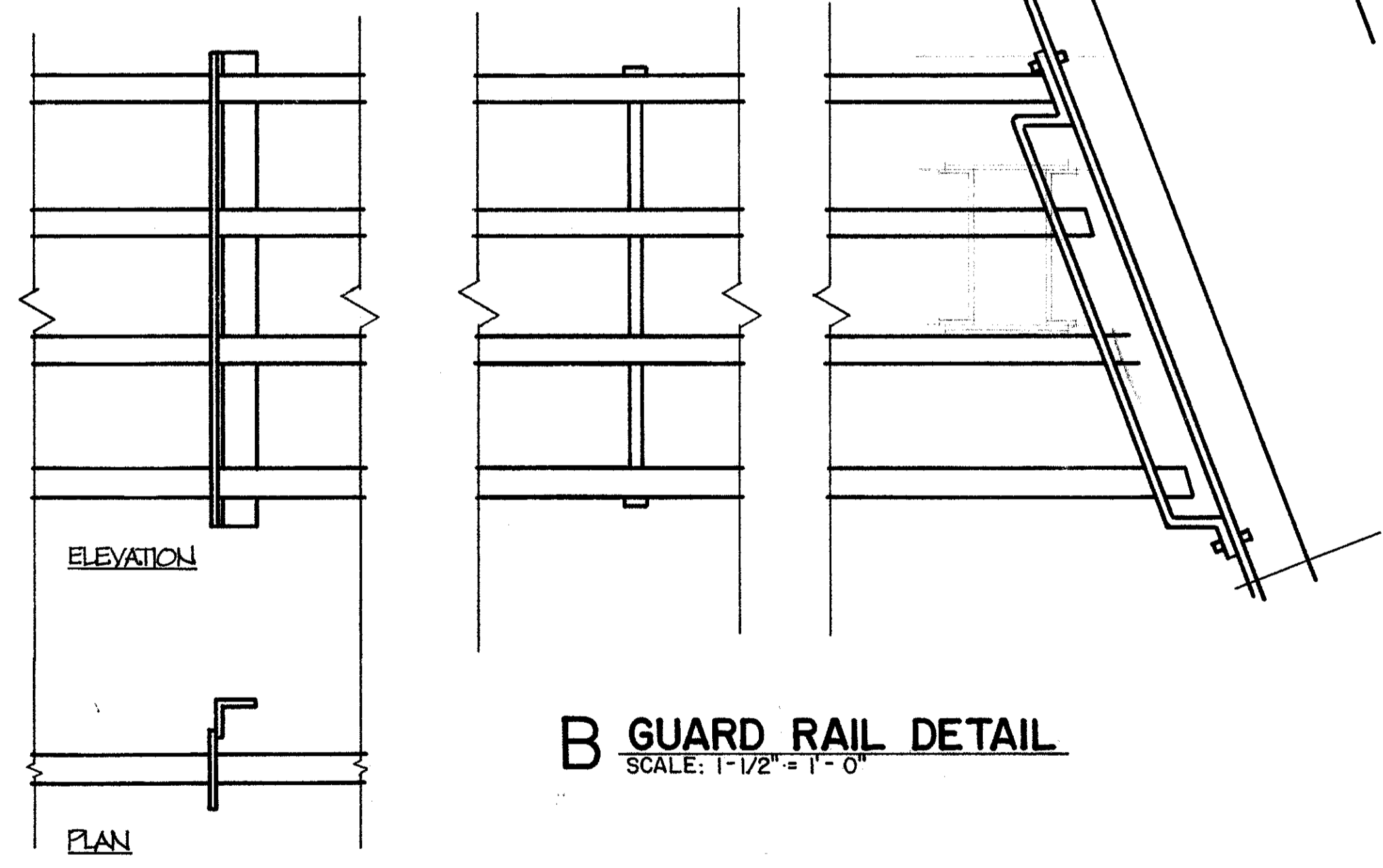
DUUE TO INSUFFICIENT INFORMATION AT THE TIME OF EDITING, THIS MATERIAL MAY NOT CONFORM TO HABS OR HAER STANDARDS.



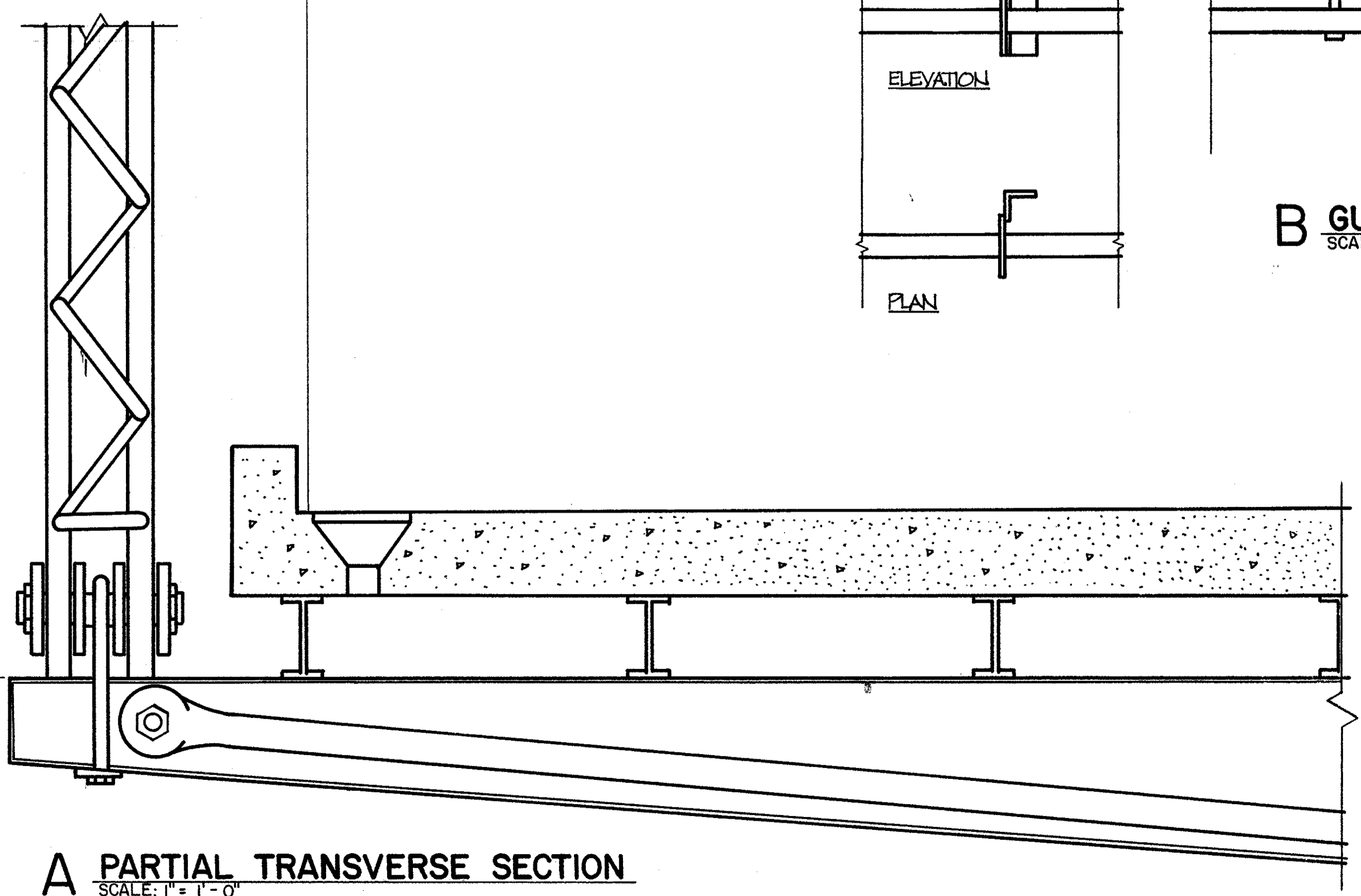
**C TRUSS CONNECTION DETAIL**  
SCALE: 1-1/2" = 1'-0"



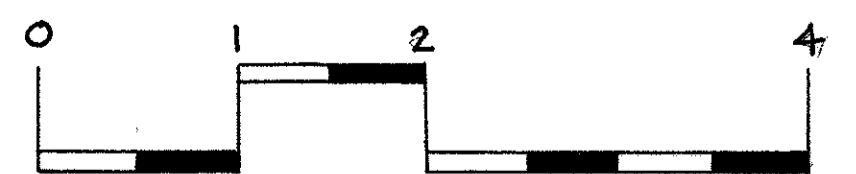
COLUMN DETAIL SECTION



**B GUARD RAIL DETAIL**  
SCALE: 1-1/2" = 1'-0"



**A PARTIAL TRANSVERSE SECTION**  
SCALE: 1" = 1'-0"

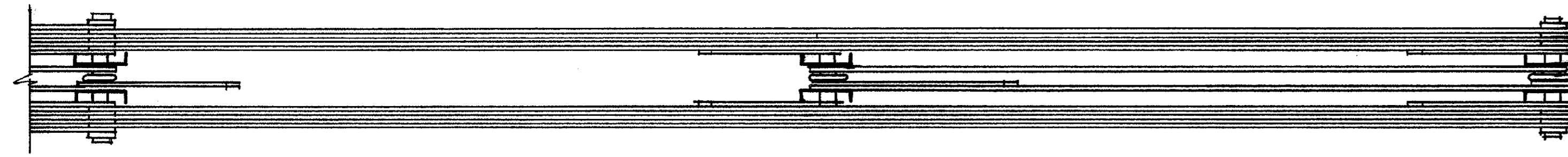


DRAWN BY: M. TURNER  
BALL STATE UNIVERSITY  
COLLEGE OF ARCHITECTURE AND PLANNING  
OFFICE OF ARCHITECTURE AND HISTORIC PRESERVATION  
UNDER DIRECTION OF THE NATIONAL PARK SERVICE,  
UNITED STATES DEPARTMENT OF THE INTERIOR

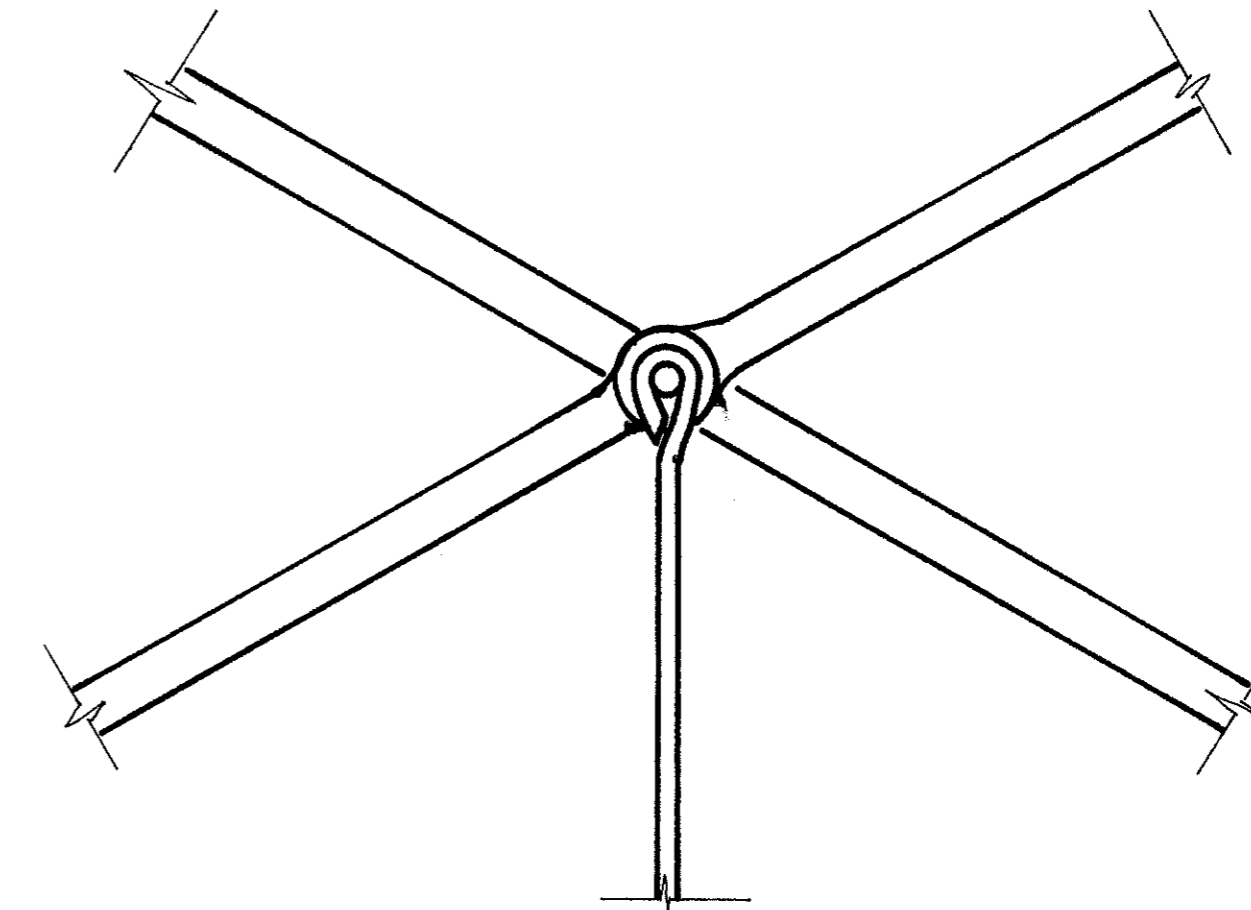
NAME AND LOCATION OF STRUCTURE  
**LAUGHERY BRIDGE**  
OHIO COUNTY NEAR AURORA, INDIANA

SURVEY NO.  
**HAER 11N-16**  
HISTORIC AMERICAN  
ENGINEERING RECORD  
SHEET 4 OF 6 SHEETS

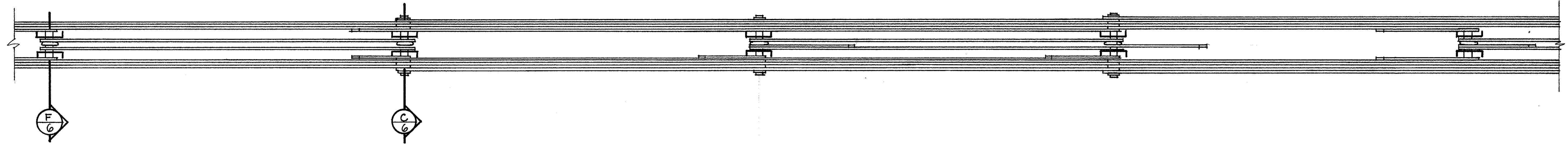
LIBRARY OF CONGRESS  
INDEX NUMBER



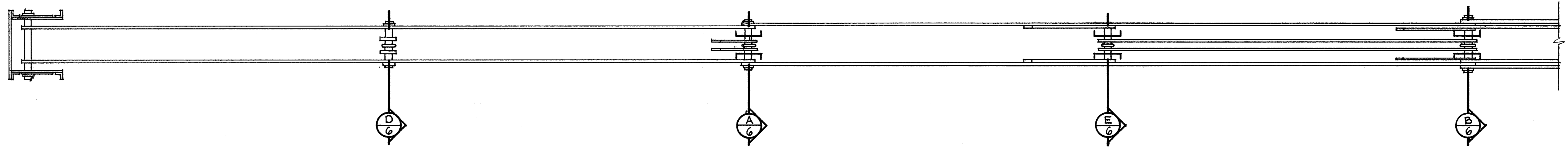
**C TIE BAR PLAN 1**  
SCALE: 1/2" = 1'-0"



**D DIAGONAL BRACING DETAIL**  
SCALE: 3" = 1'-0"



**B TIE BAR PLAN 2**  
SCALE: 1/2" = 1'-0"



**A TIE BAR PLAN 3**  
SCALE: 1/2" = 1'-0"

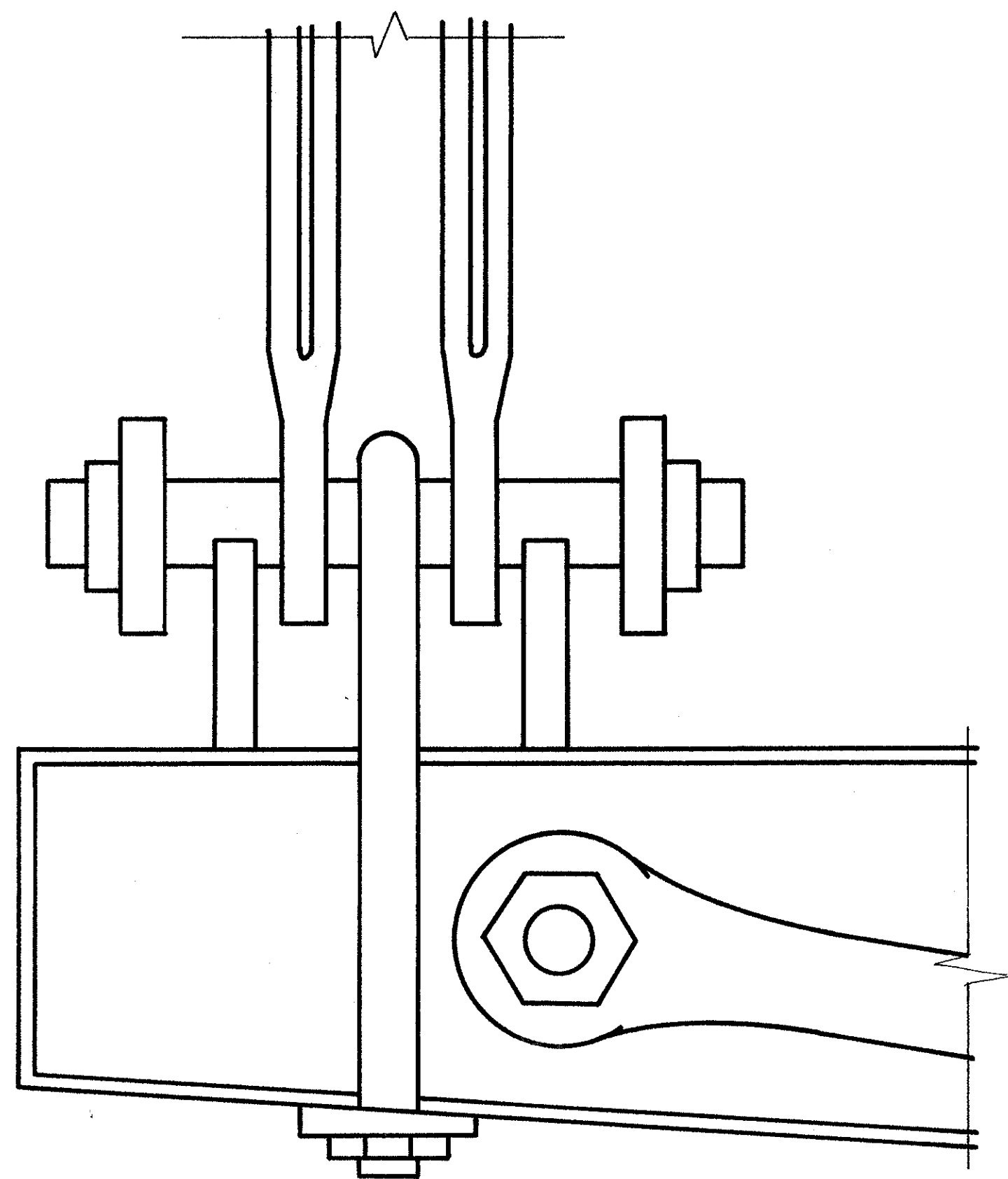
DATE TO INSUFFICIENT INFORMATION AT THE TIME OF EDITING, THIS MATERIAL MAY NOT CONFORM TO HABS OR HAER STANDARDS.

DRAWN BY: J. BYERS  
OHIO STATE UNIVERSITY  
COLLEGE OF ARCHITECTURE AND PLANNING  
OFFICE OF ARCHITECTURAL AND HISTORICAL PRESERVATION  
UNDER THE SUPERVISION OF THE NATIONAL ARCHITECTURAL AND HISTORICAL RECORDS SERVICE,  
UNITED STATES DEPARTMENT OF THE INTERIOR

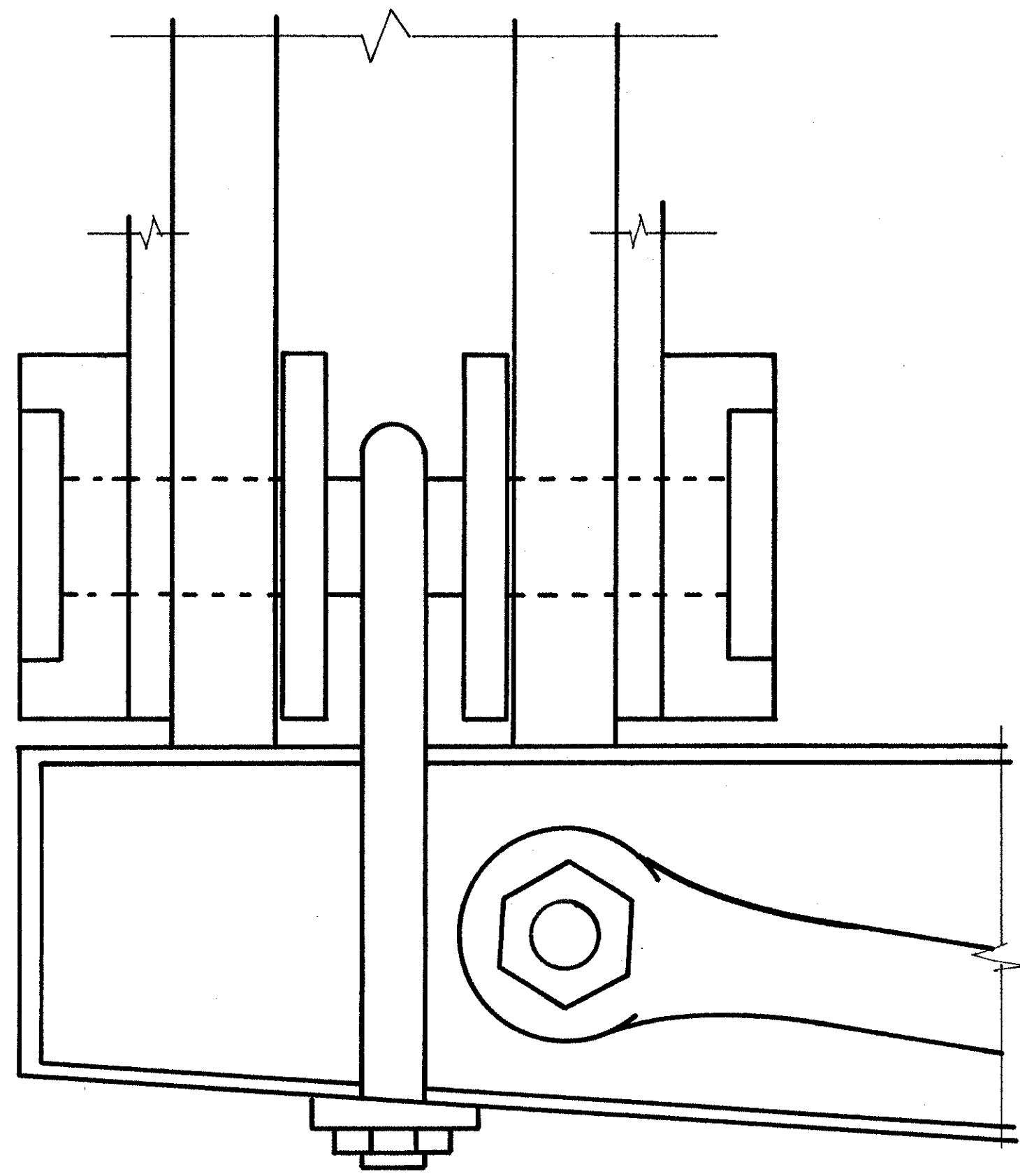
NAME AND LOCATION OF STRUCTURE  
**LAUGHERY BRIDGE**  
OHIO COUNTY NEAR AURORA, INDIANA

SURVEY NO.  
**HAER**  
**IN-16**

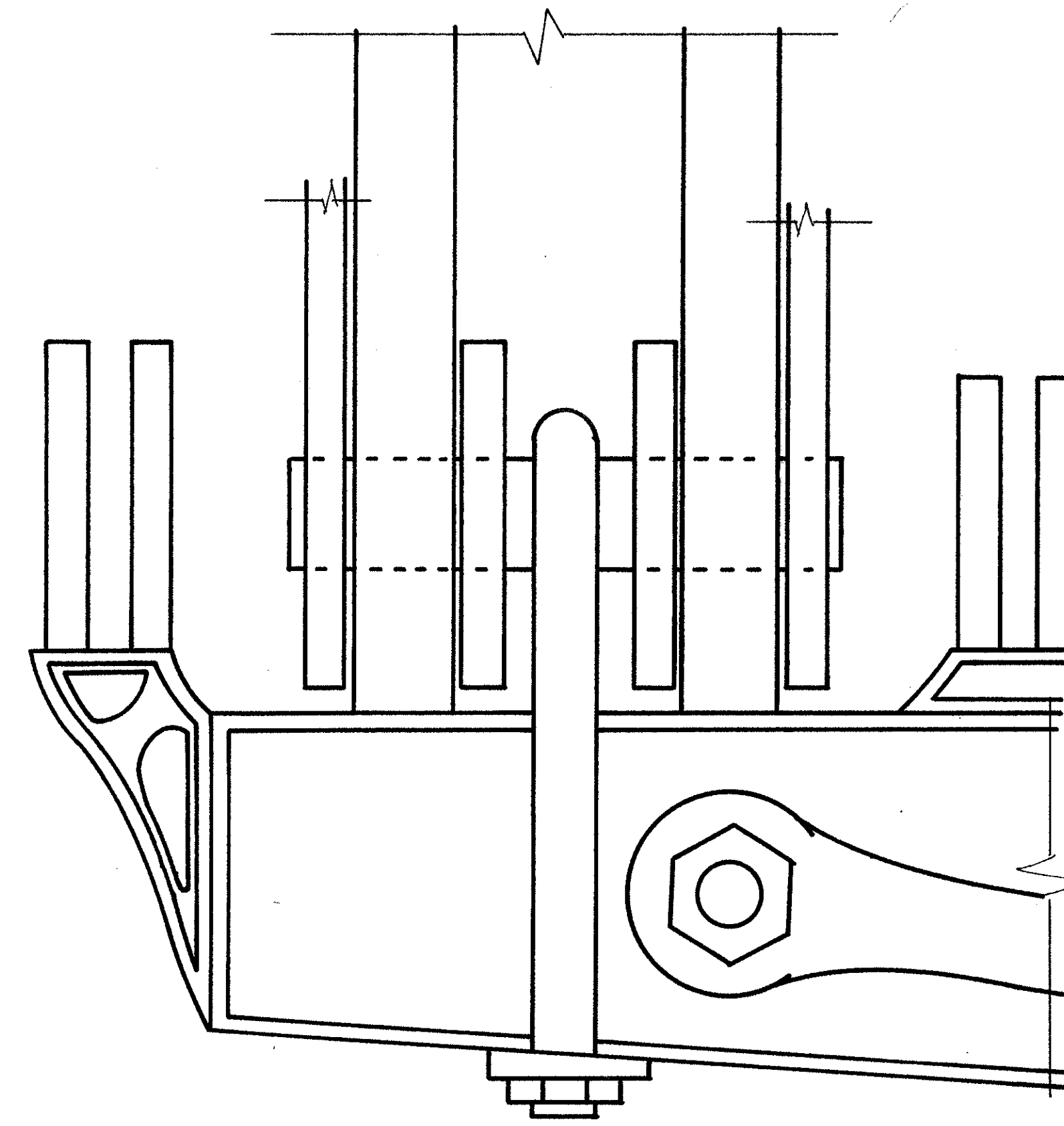
HISTORIC AMERICAN  
ENGINEERING RECORD  
SHEET 5 OF 6



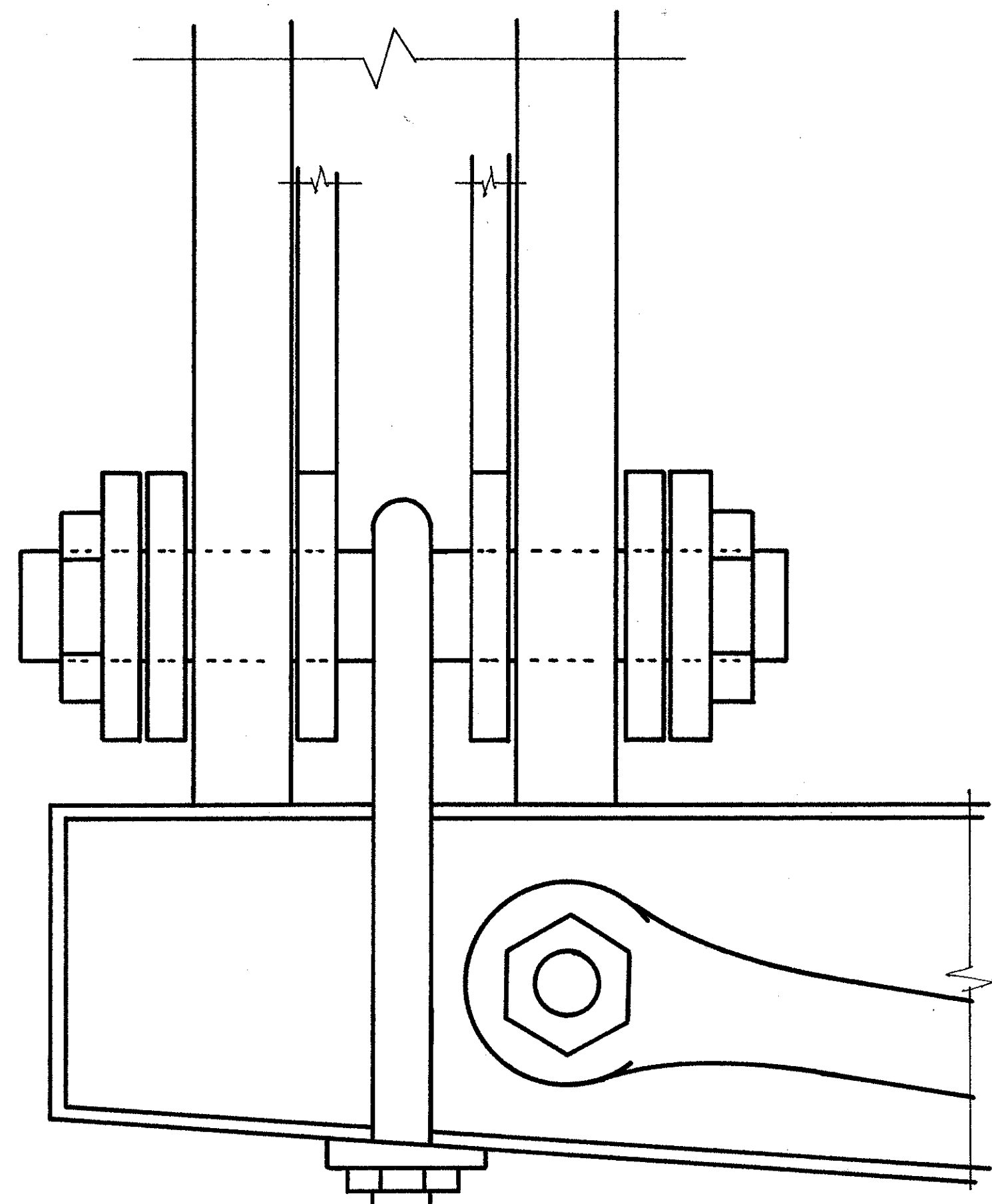
D PIN JOINT DETAIL  
SCALE: 3" = 1' - 0"



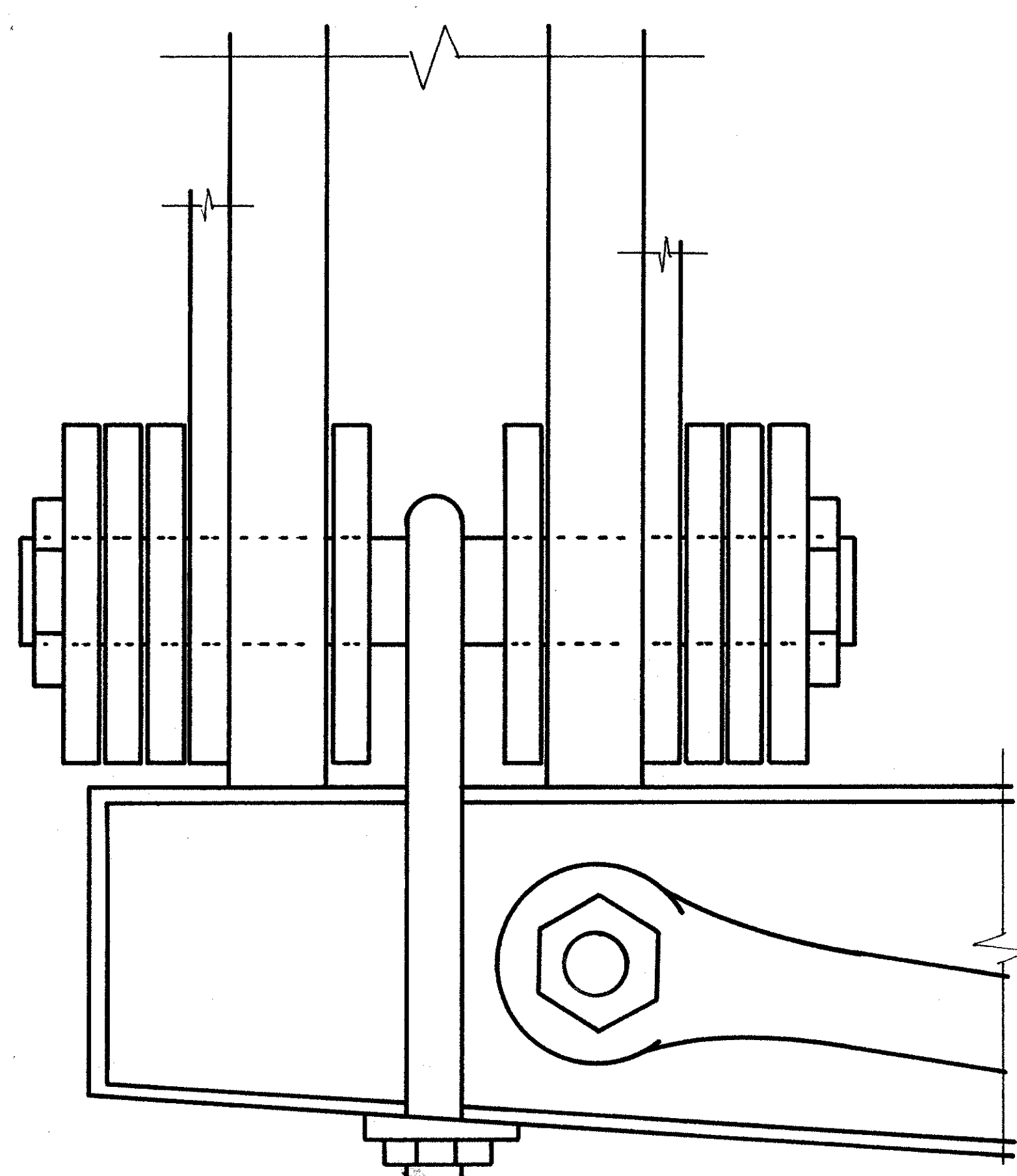
E PIN JOINT DETAIL  
SCALE: 3" = 1' - 0"



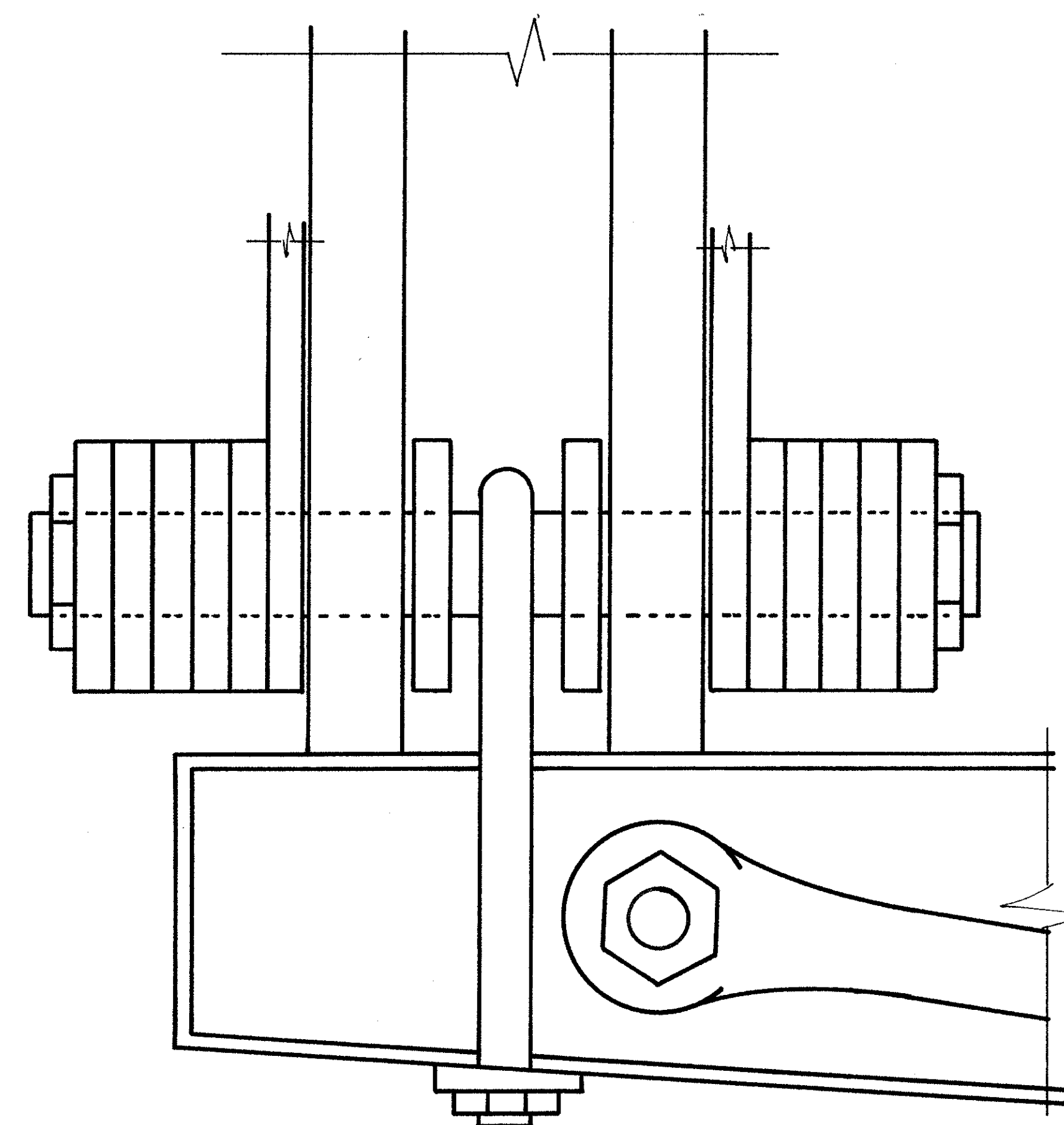
F PIN JOINT DETAIL  
SCALE: 3" = 1' - 0"



A PIN JOINT DETAIL  
SCALE: 3" = 1' - 0"



B PIN JOINT DETAIL  
SCALE: 3" = 1' - 0"



C PIN JOINT DETAIL  
SCALE: 3" = 1' - 0"

ONE TO INSUFFICIENT INFORMATION AT THE TIME OF EDITING, THIS MATERIAL MAY NOT CONFORM TO HABS OR HACS STANDARDS.

DRAWN BY: M. TILNER  
 BALL STATE UNIVERSITY  
 COLLEGE OF ARCHITECTURE AND PLANNING  
 OFFICE OF ARCHITECTURE AND HISTORIC PRESERVATION  
 100 EAST WASHINGTON STREET, SUITE 100  
 INDIANAPOLIS, INDIANA 46202-1000  
 UNITED STATES DEPARTMENT OF THE INTERIOR

NAME AND LOCATION OF STRUCTURE  
**LAUGHERY BRIDGE**  
 OHIO COUNTY NEAR AURORA, INDIANA

SURVEY NO.  
**HAZR**  
**IN-16**

HISTORIC AMERICAN  
 ENGINEERING RECORD  
 SHEET 6 OF 6